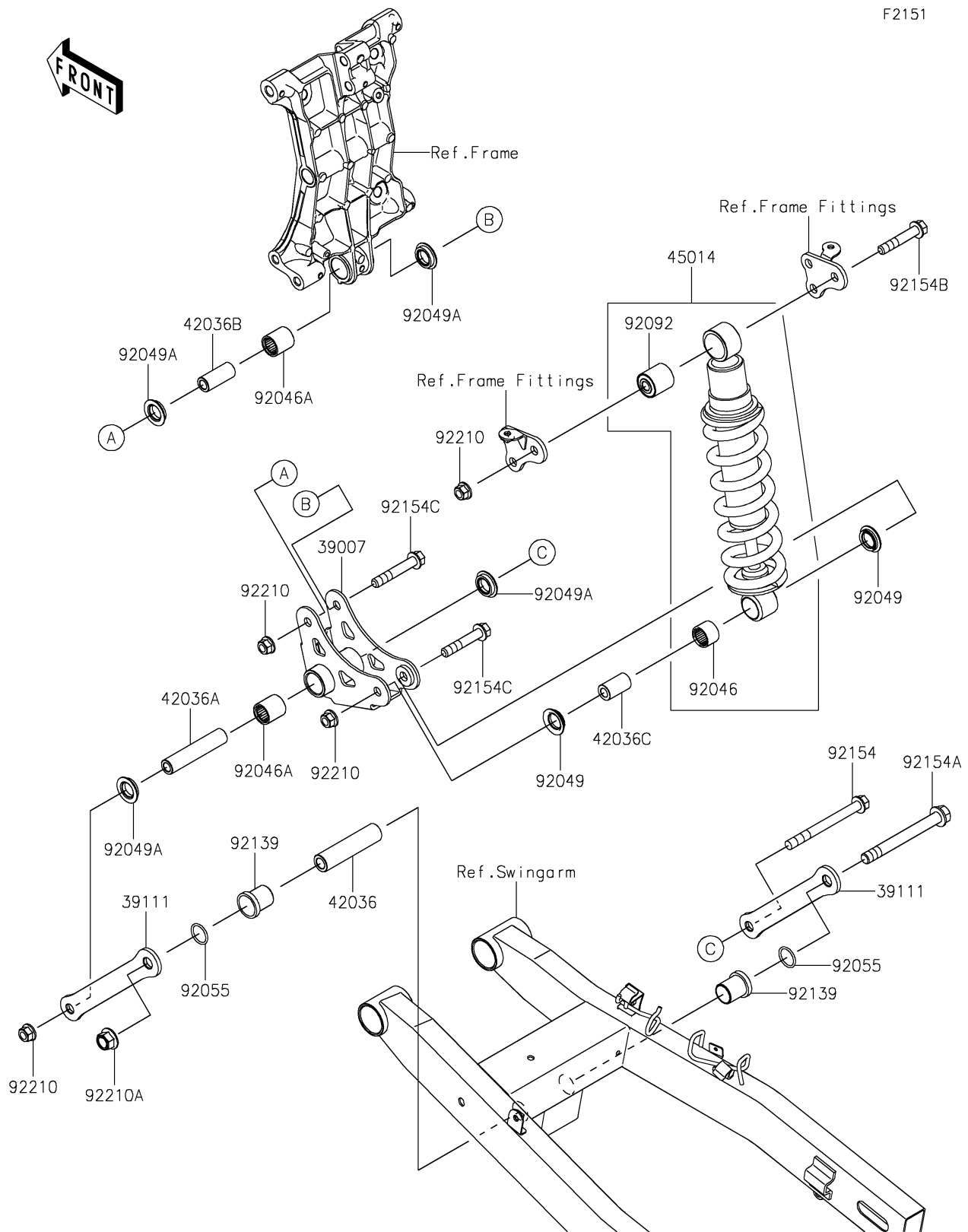


2024 NINJA® 500 SE ABS

PARTS DIAGRAM

Suspension/Shock Absorber

F2151



2024 NINJA® 500 SE ABS

PARTS LIST

Suspension/Shock Absorber

ITEM NAME	PART NUMBER	QUANTITY
-----------	-------------	----------
