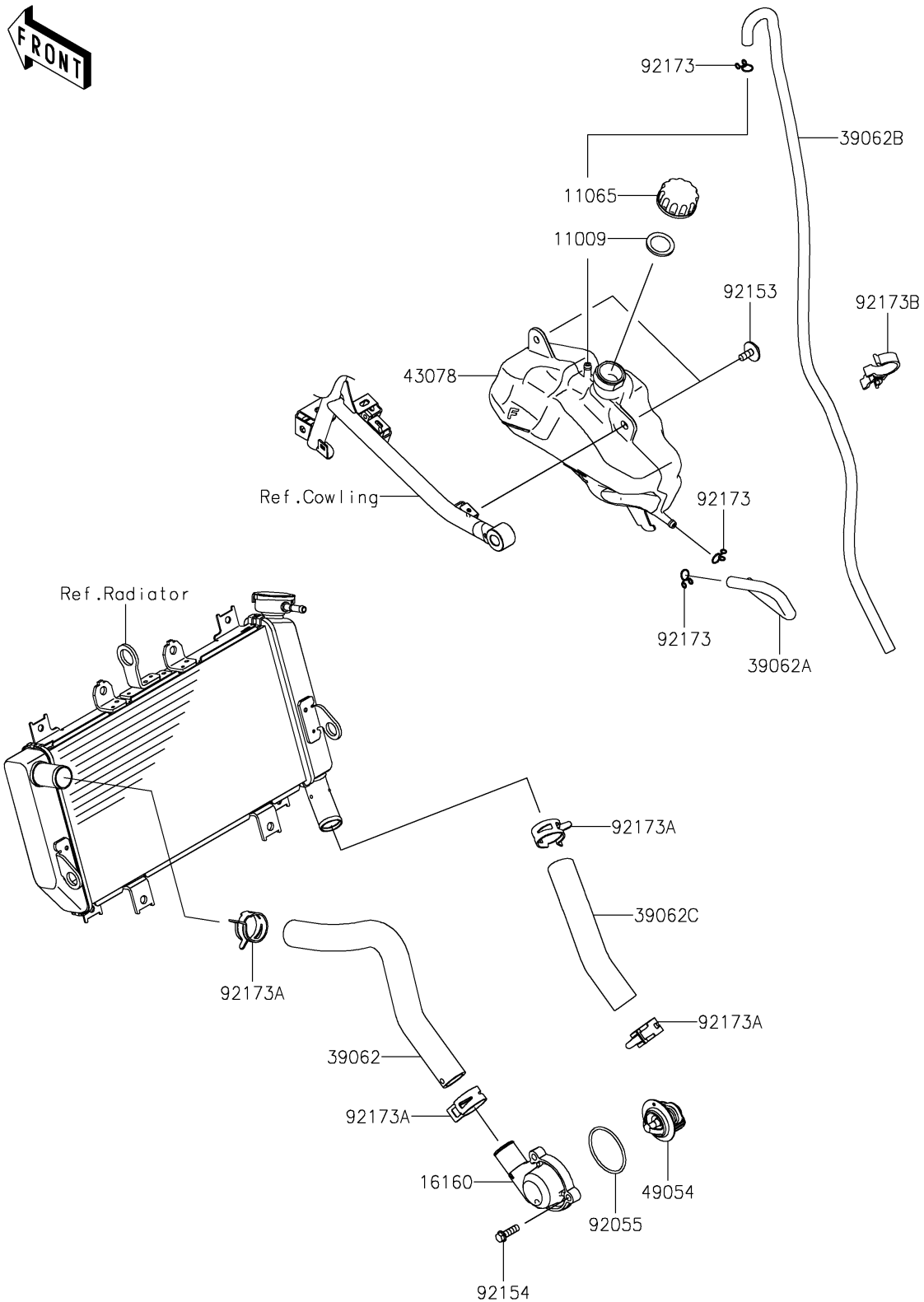


2024 NINJA® 500 SE ABS

PARTS DIAGRAM

Water Pipe

E3037



2024 NINJA[®] 500 SE ABS

PARTS LIST

Water Pipe

ITEM NAME	PART NUMBER	QUANTITY
-----------	-------------	----------
