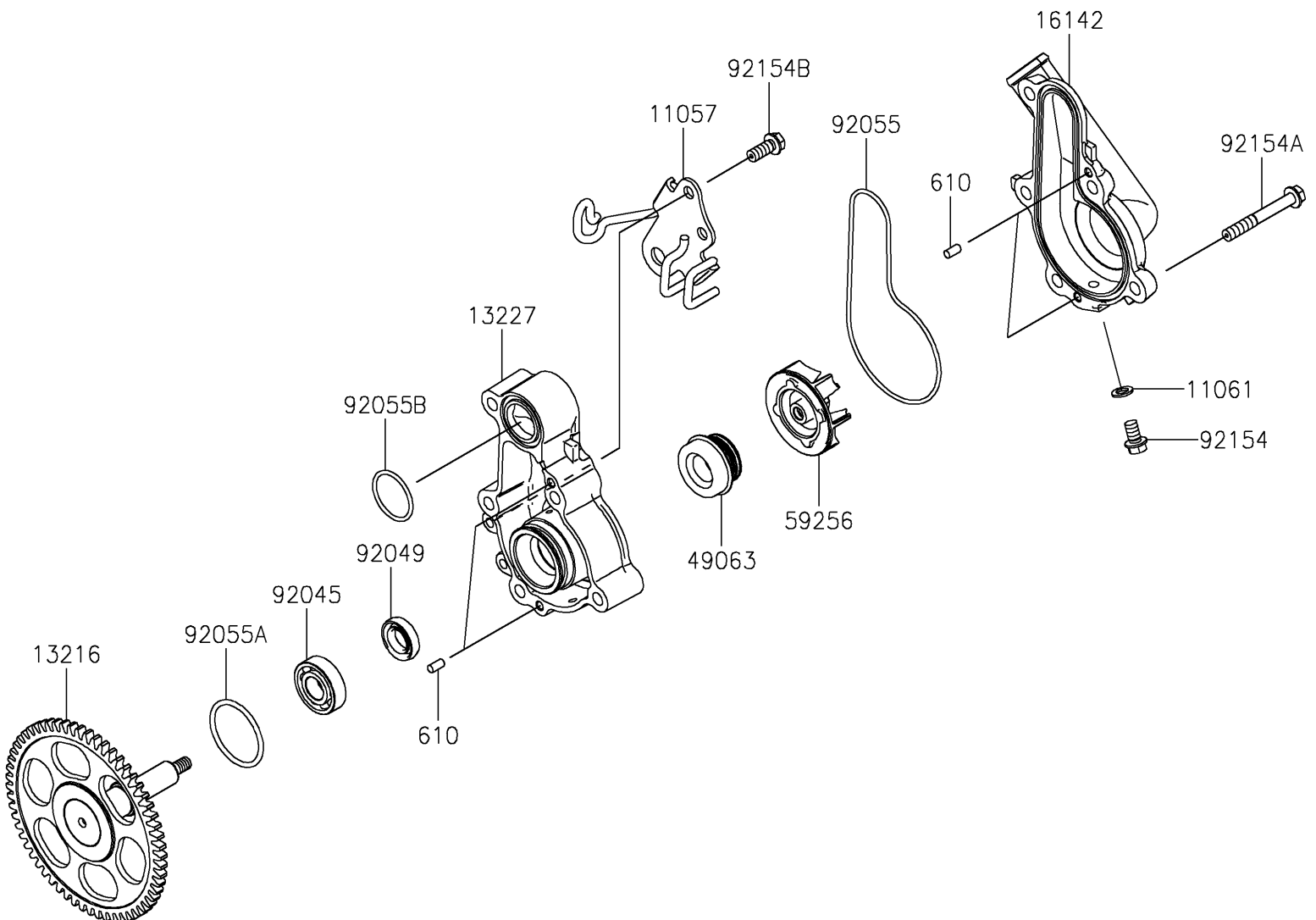


2024 NINJA® 500 SE 40th ANNIVERSARY EDITION ABS

PARTS DIAGRAM Water Pump

E3031



2024 NINJA® 500 SE 40th ANNIVERSARY EDITION ABS



PARTS LIST

Water Pump

ITEM NAME	PART NUMBER	QUANTITY
-----------	-------------	----------
