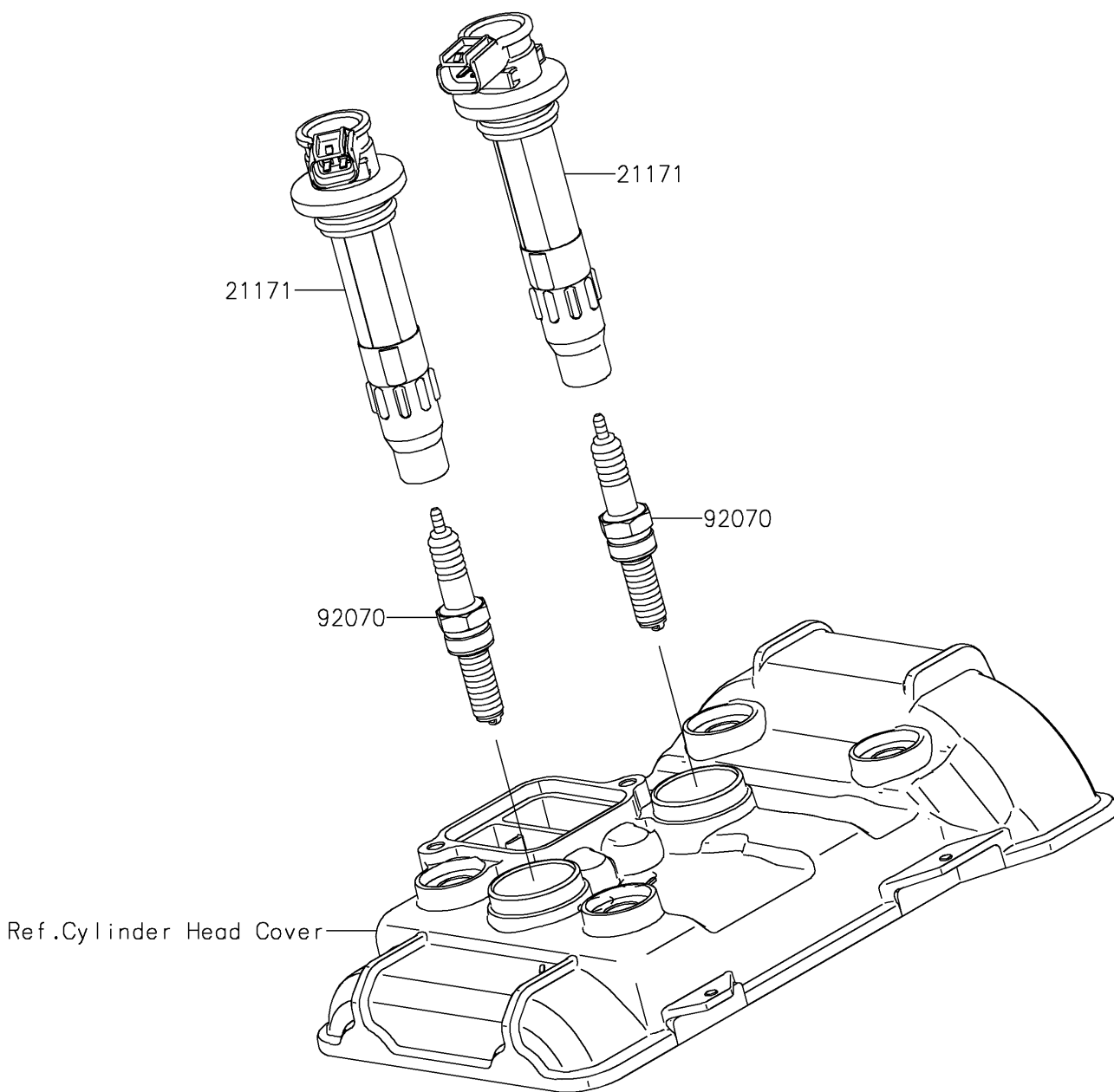


# 2024 NINJA® 500 KRT EDITION SE ABS

## PARTS DIAGRAM

### Ignition System

E1830



# 2024 NINJA® 500 KRT EDITION SE ABS



## PARTS LIST

### Ignition System

ITEM NAME	PART NUMBER	QUANTITY
-----------	-------------	----------

---