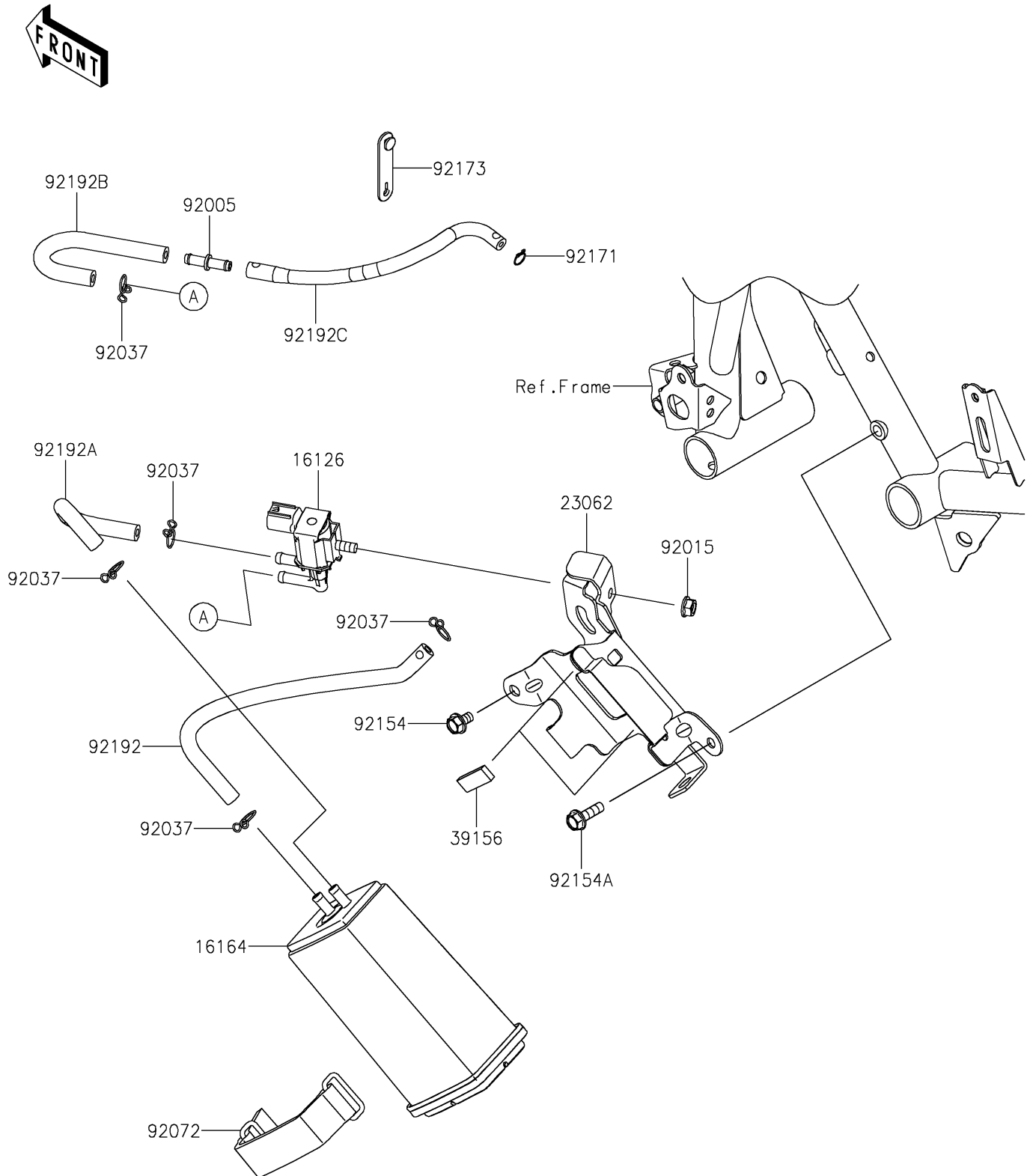


# 2024 NINJA® 500 SE ABS

## PARTS DIAGRAM

### Fuel Evaporative System(CA)

E1650



# 2024 NINJA<sup>®</sup> 500 SE ABS

## PARTS LIST

### Fuel Evaporative System(CA)

ITEM NAME	PART NUMBER	QUANTITY
-----------	-------------	----------

---