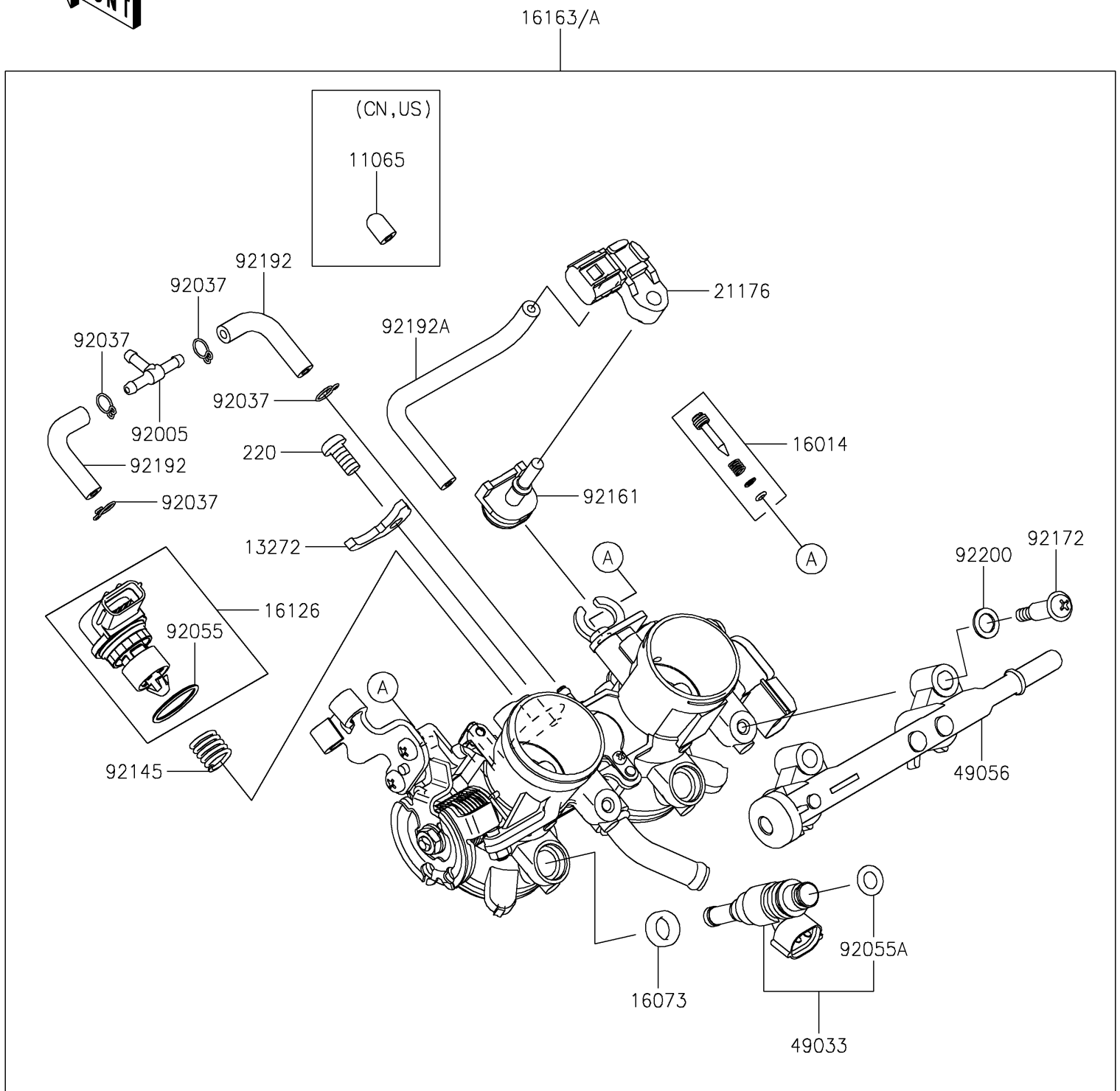


## PARTS DIAGRAM

### Throttle

E1510



# 2024 NINJA® 500 SE 40th ANNIVERSARY EDITION ABS



## PARTS LIST Throttle

ITEM NAME	PART NUMBER	QUANTITY
-----------	-------------	----------

---