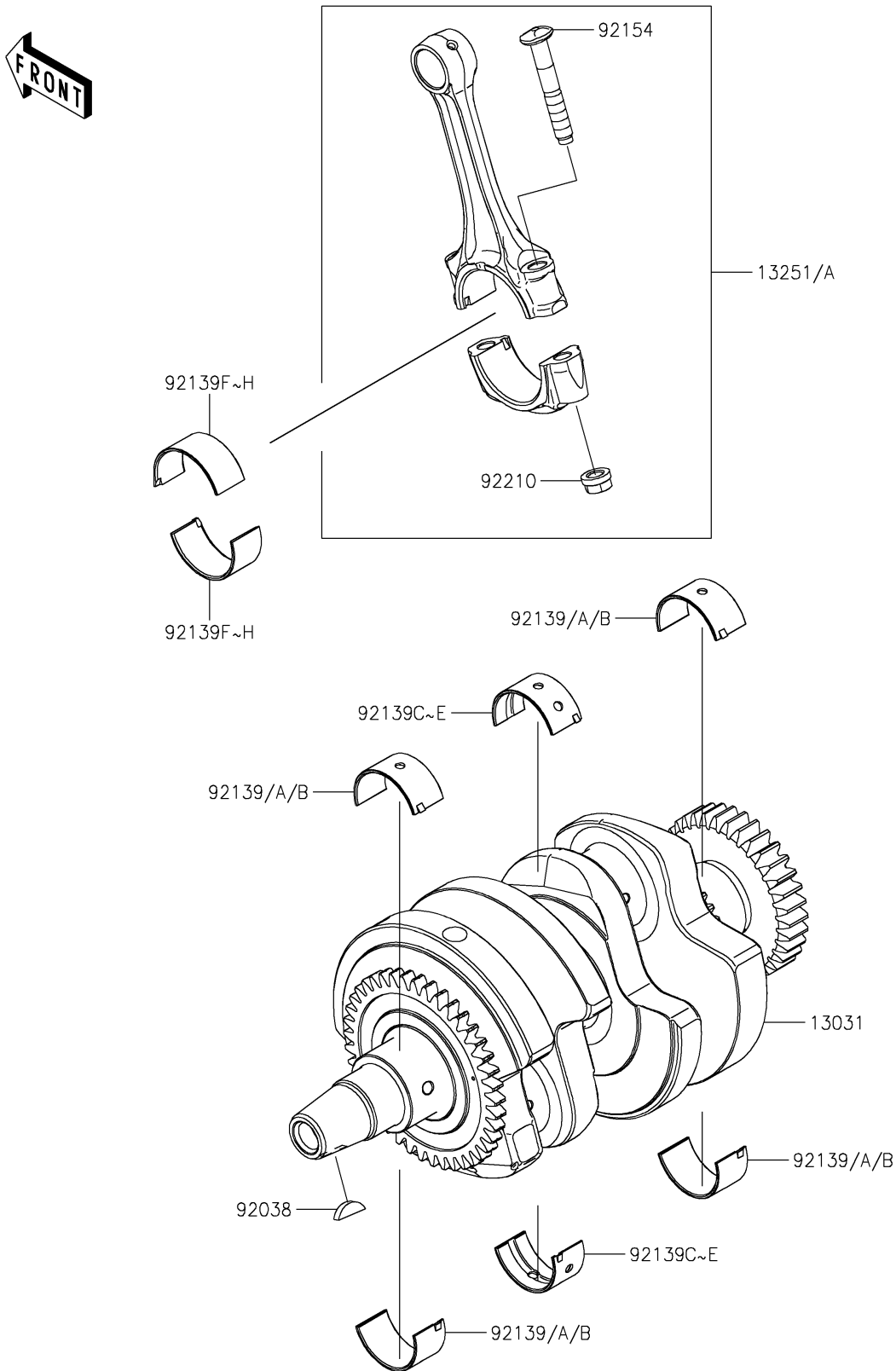


# 2024 NINJA® 500 SE 40th ANNIVERSARY EDITION ABS

## PARTS DIAGRAM

### Crankshaft

E1321



# 2024 NINJA® 500 SE 40th ANNIVERSARY EDITION ABS



## PARTS LIST Crankshaft

ITEM NAME	PART NUMBER	QUANTITY
-----------	-------------	----------

---