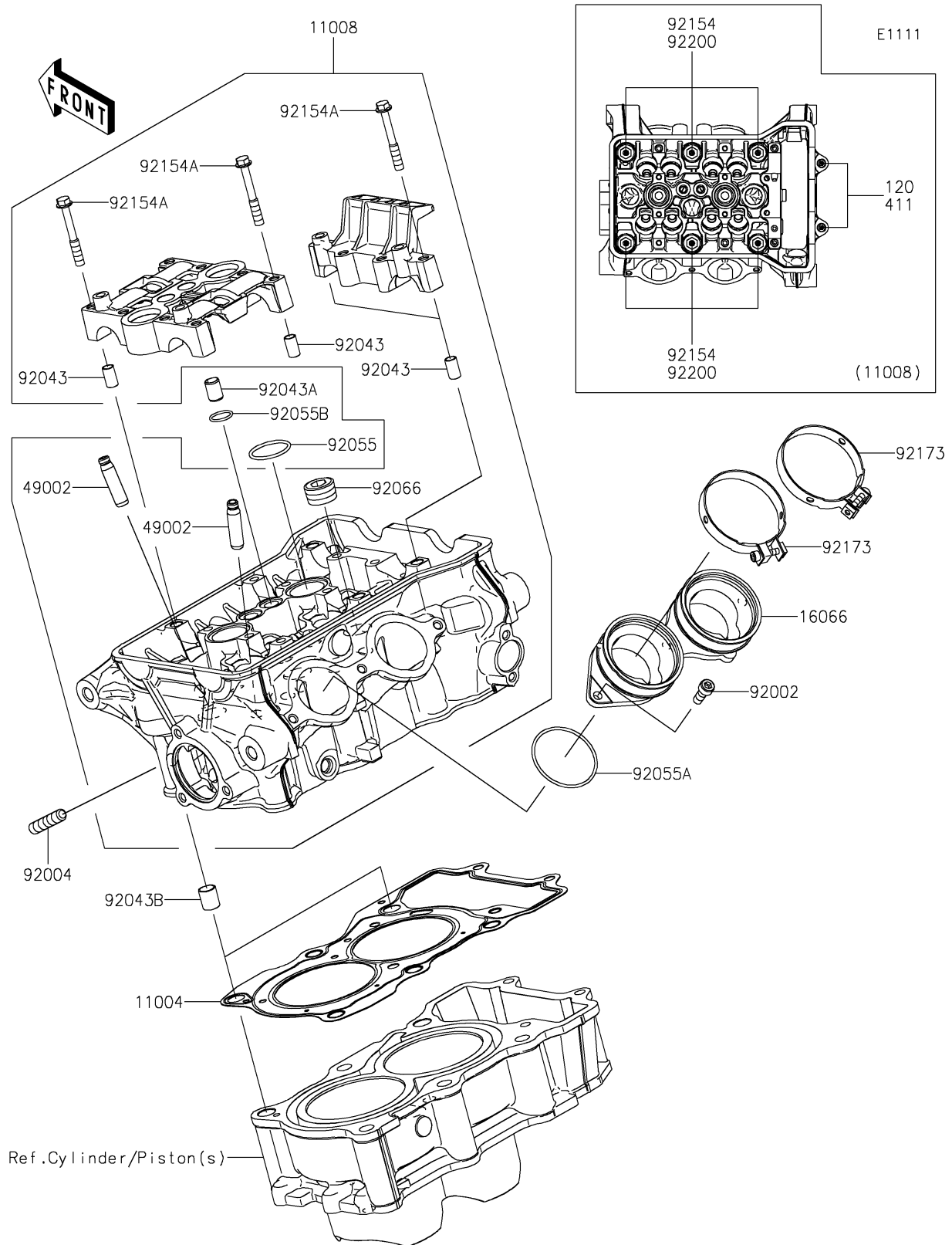


# 2024 NINJA® 500 SE ABS

## PARTS DIAGRAM

### Cylinder Head



# 2024 NINJA<sup>®</sup> 500 SE ABS



## PARTS LIST Cylinder Head

ITEM NAME	PART NUMBER	QUANTITY
-----------	-------------	----------