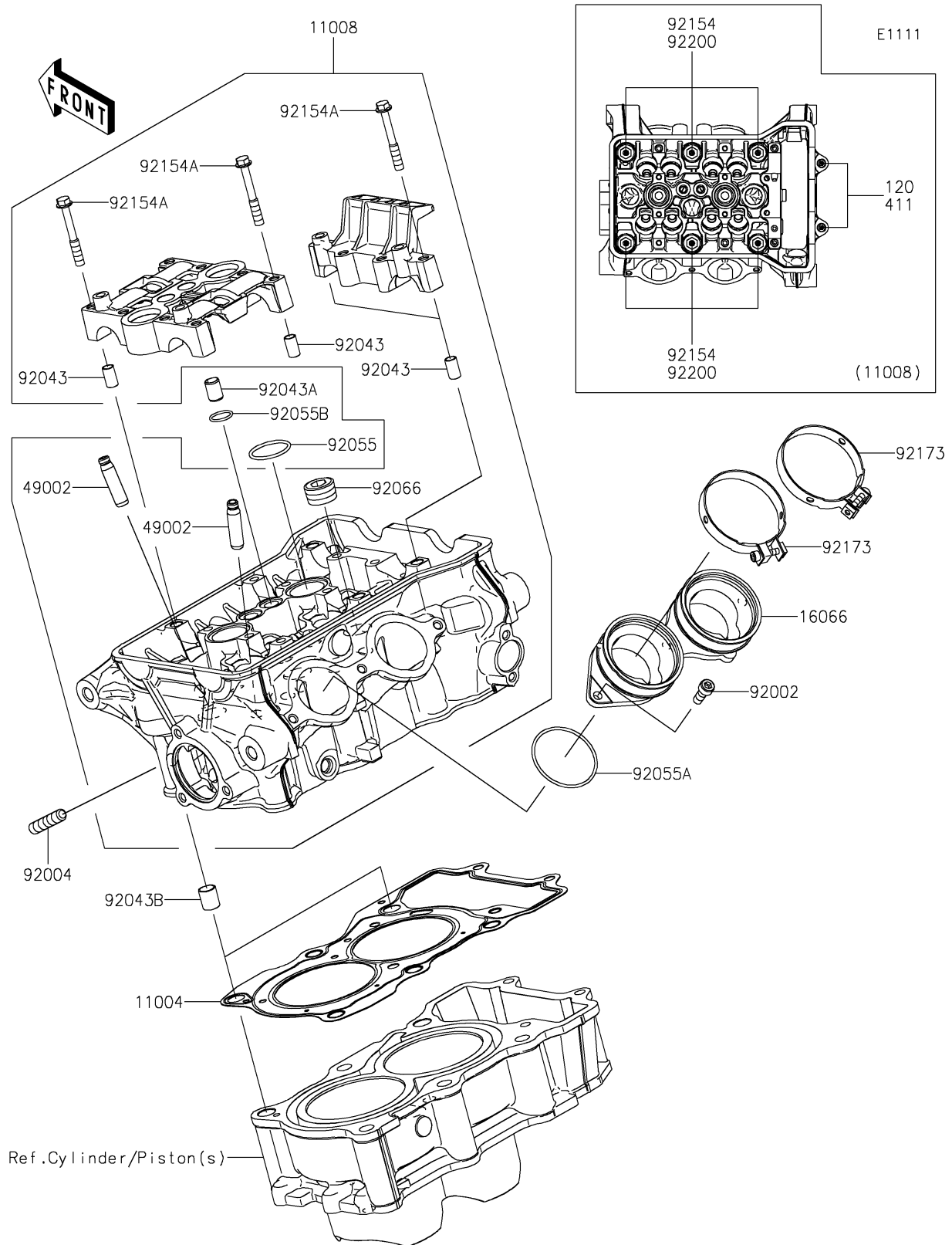


# 2025 NINJA® 500 SE ABS

## PARTS DIAGRAM

### Cylinder Head



# 2025 NINJA® 500 SE ABS

## PARTS LIST

### Cylinder Head



**ITEM NAME**

**PART NUMBER**

**QUANTITY**

---