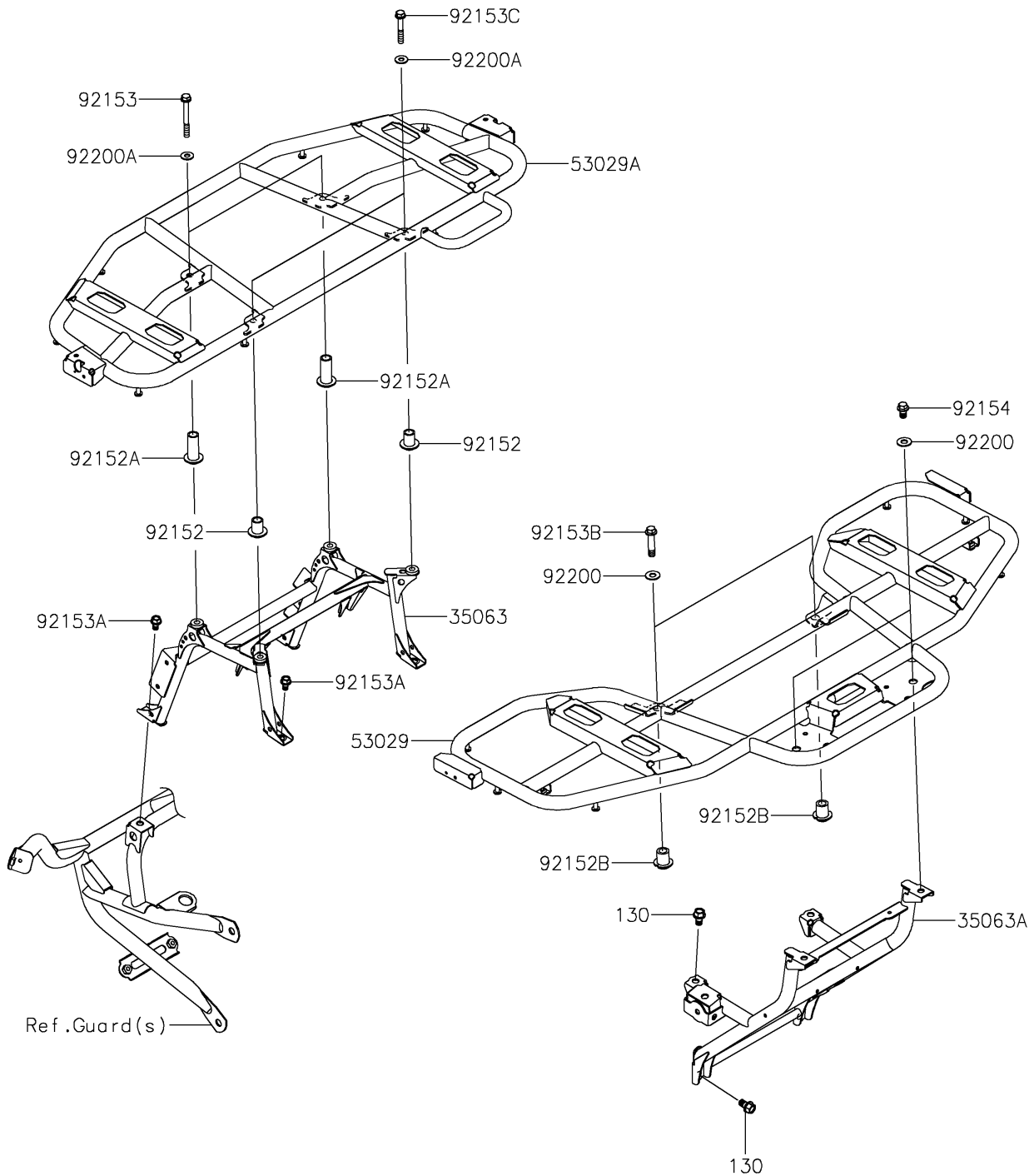


# 2026 BRUTE FORCE® 750

## PARTS DIAGRAM

### Carrier(s)

F2520



# 2026 BRUTE FORCE<sup>®</sup> 750

## PARTS LIST

Carrier(s)

**ITEM NAME**

**PART NUMBER**

**QUANTITY**

---