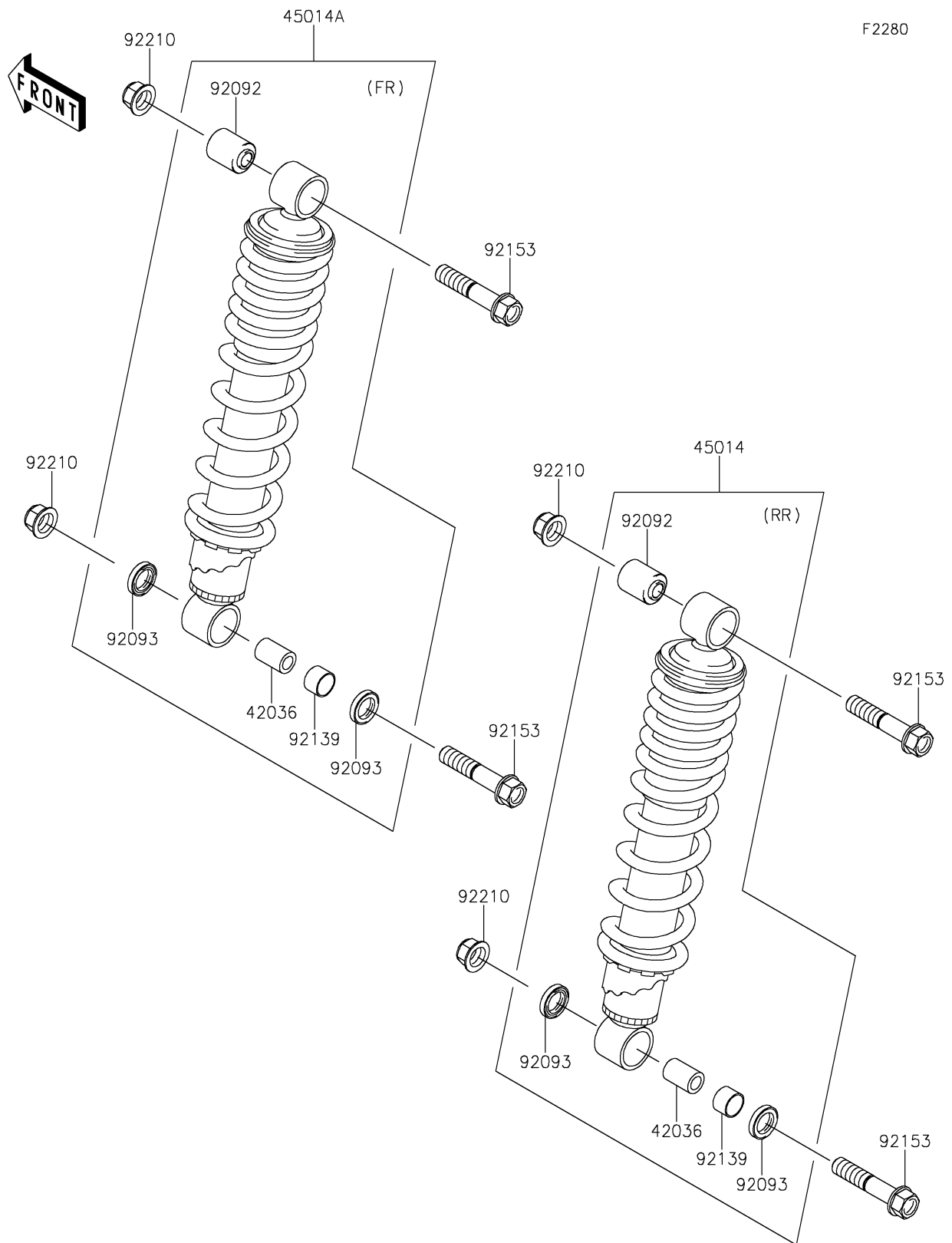


2026 BRUTE FORCE® 750

PARTS DIAGRAM

Shock Absorber(s)



2026 BRUTE FORCE[®] 750

PARTS LIST

Shock Absorber(s)

ITEM NAME	PART NUMBER	QUANTITY
-----------	-------------	----------
