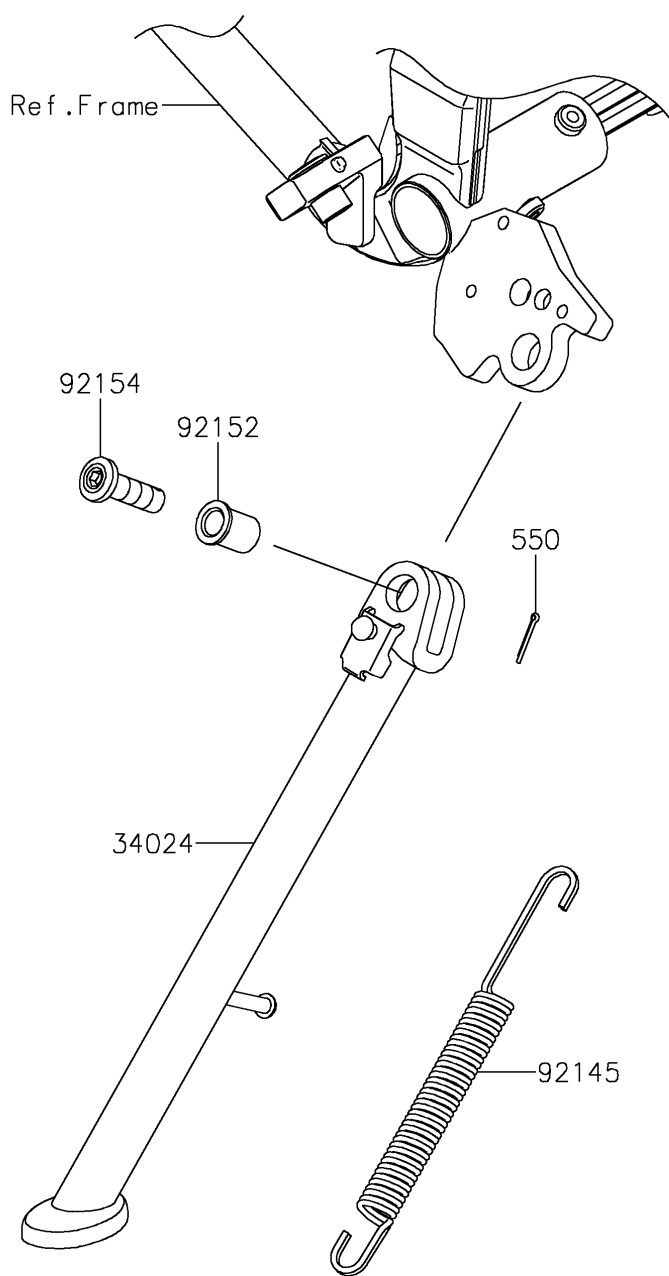


2026 KLX300SM

PARTS DIAGRAM

Stand(s)

F2190



2026 KLX300SM

PARTS LIST

Stand(s)

ITEM NAME

PART NUMBER

QUANTITY
