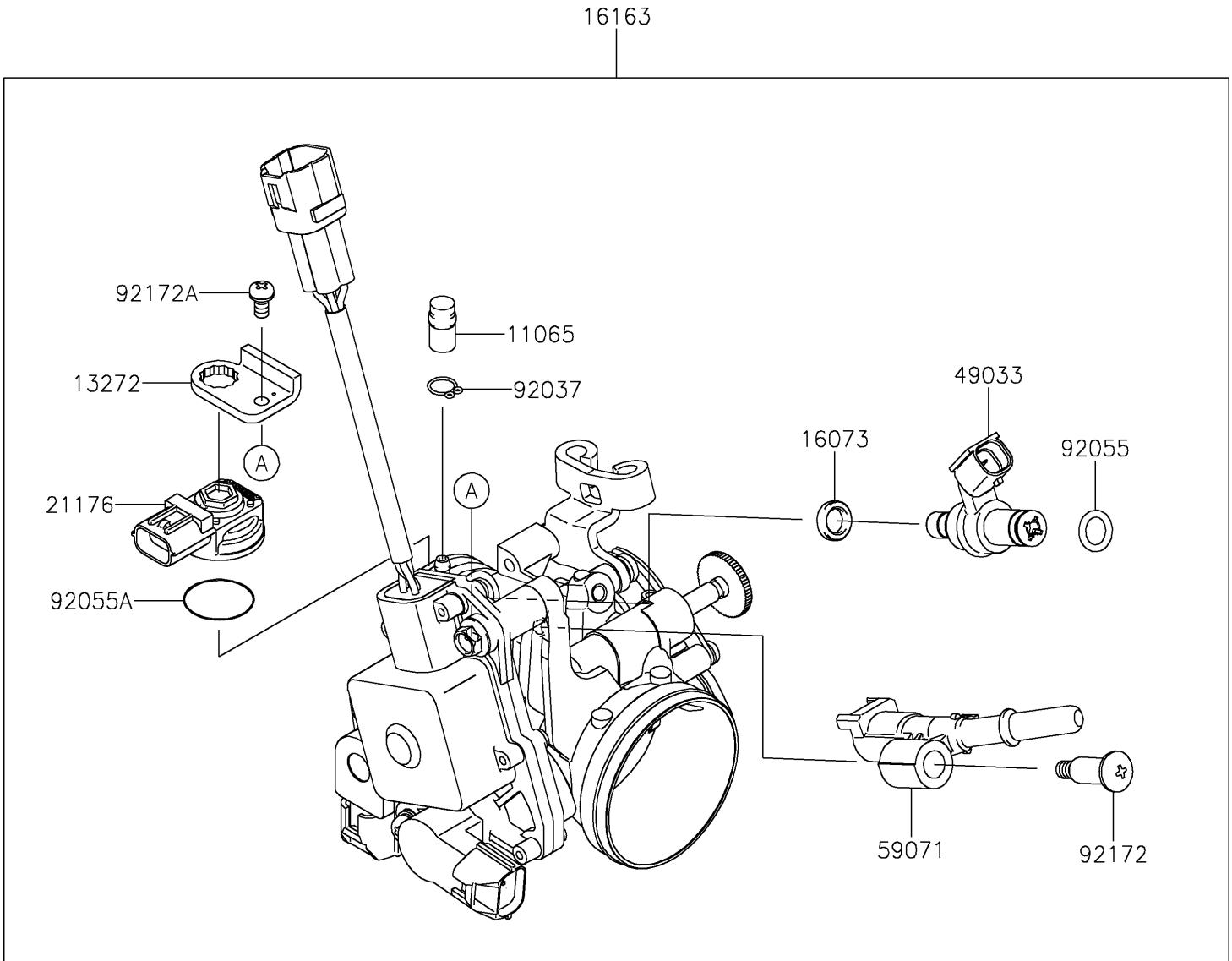


2026 KLX300SM

PARTS DIAGRAM

Throttle

E1510



2026 KLX300SM

PARTS LIST

Throttle

ITEM NAME

PART NUMBER

QUANTITY
