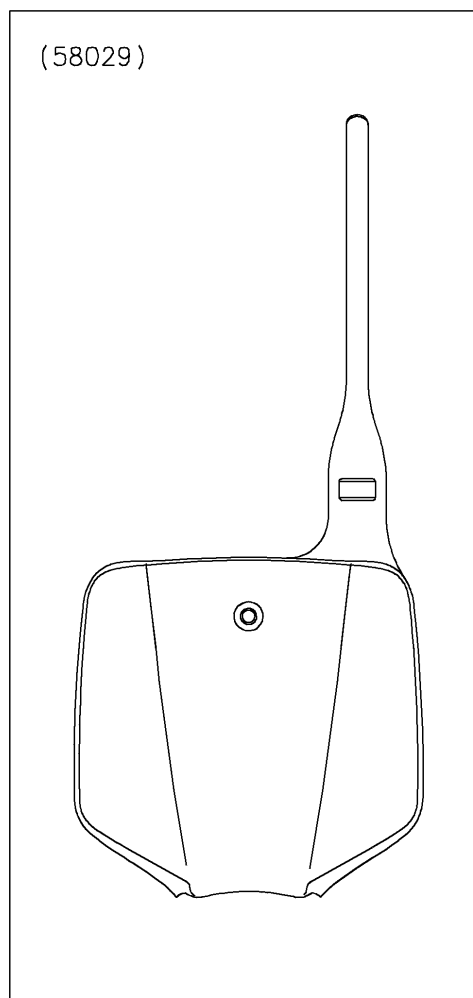
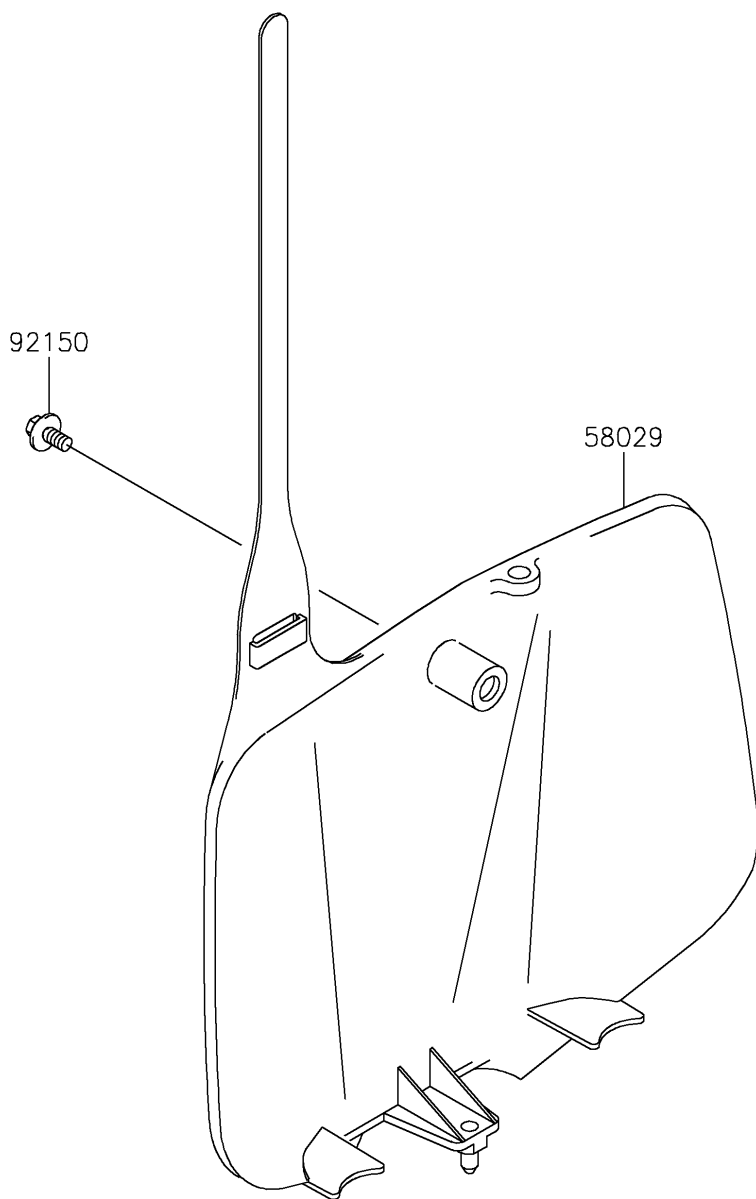


2026 KX™ 65

PARTS DIAGRAM

Accessory

F2910



WOD

2026 KX™ 65

PARTS LIST

Accessory

ITEM NAME	PART NUMBER	QUANTITY
-----------	-------------	----------
