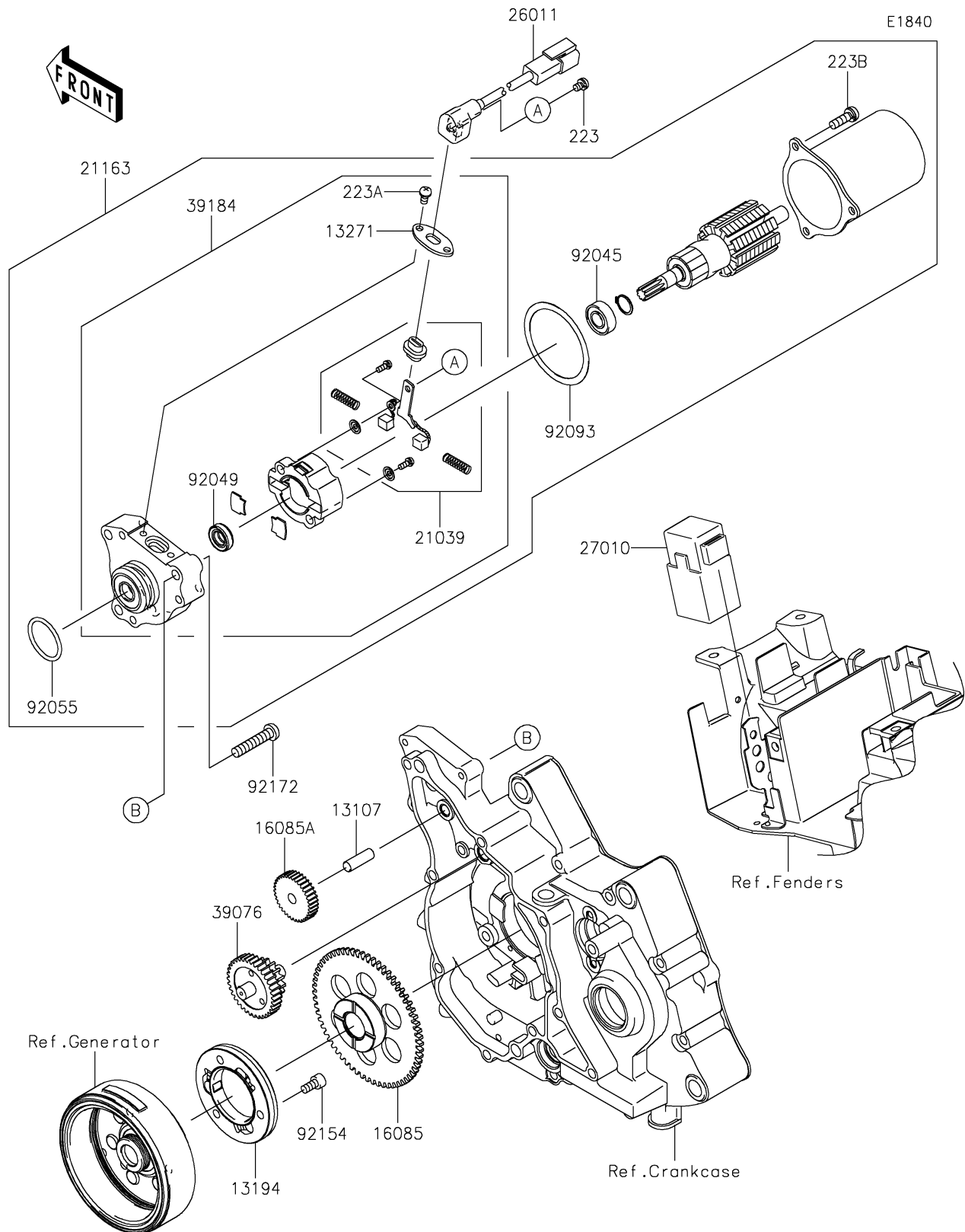


# 2026 KLX<sup>®</sup>110R

## PARTS DIAGRAM

### Starter Motor



# 2026 KLX<sup>®</sup>110R

## PARTS LIST

### Starter Motor

**ITEM NAME**

**PART NUMBER**

**QUANTITY**

---