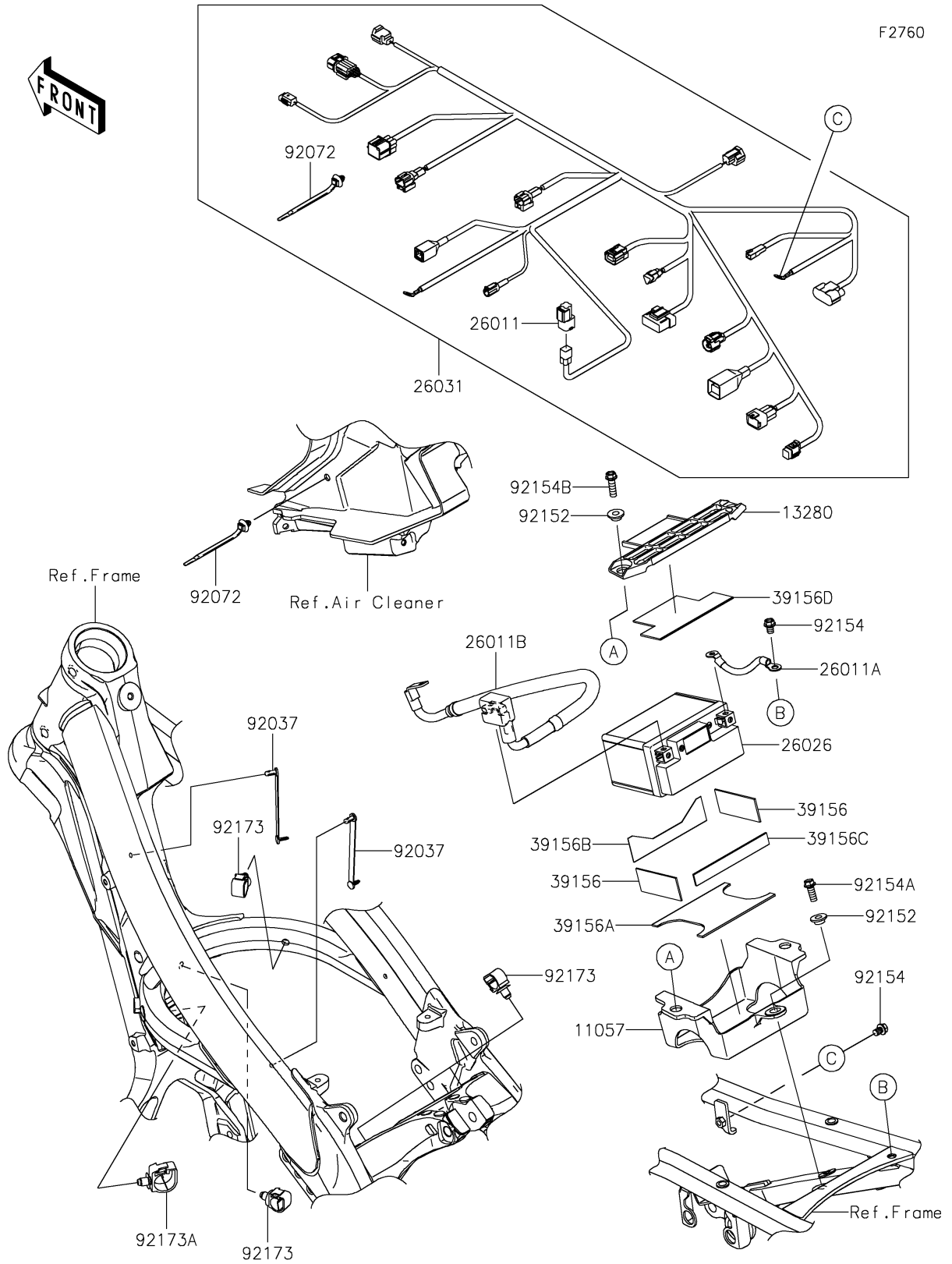


2025 KX450

PARTS DIAGRAM

Chassis Electrical Equipment



2025 KX450

PARTS LIST

Chassis Electrical Equipment

ITEM NAME

PART NUMBER

QUANTITY
