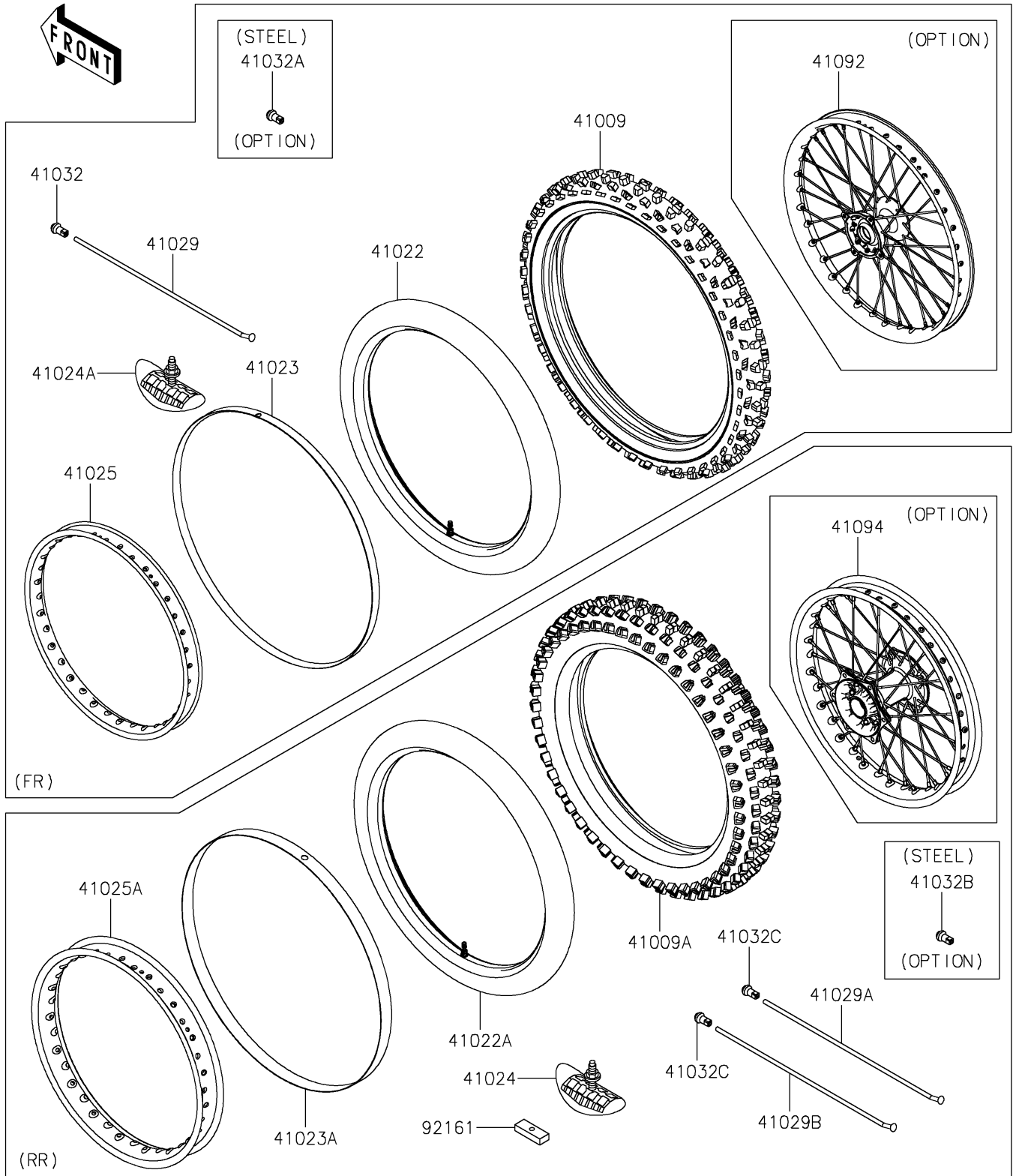


# 2026 KX™ 450

## PARTS DIAGRAM

### Wheels/Tires

F2210



# 2026 KX™ 450

## PARTS LIST

### Wheels/Tires

**ITEM NAME**

**PART NUMBER**

**QUANTITY**

---