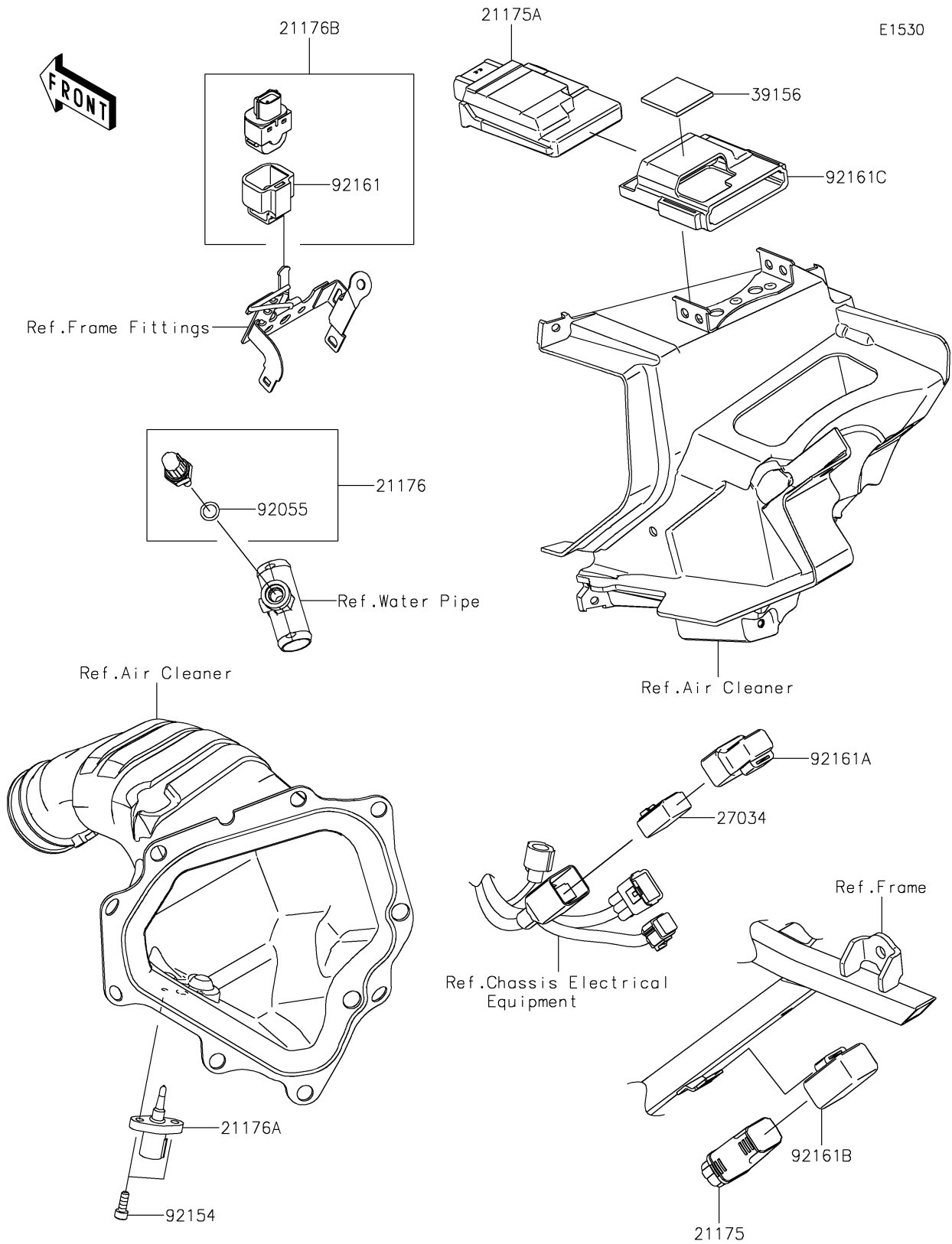


# 2026 KX™ 450

## PARTS DIAGRAM

### Fuel Injection



# 2026 KX™ 450

## PARTS LIST

### Fuel Injection

**ITEM NAME**

**PART NUMBER**

**QUANTITY**

---