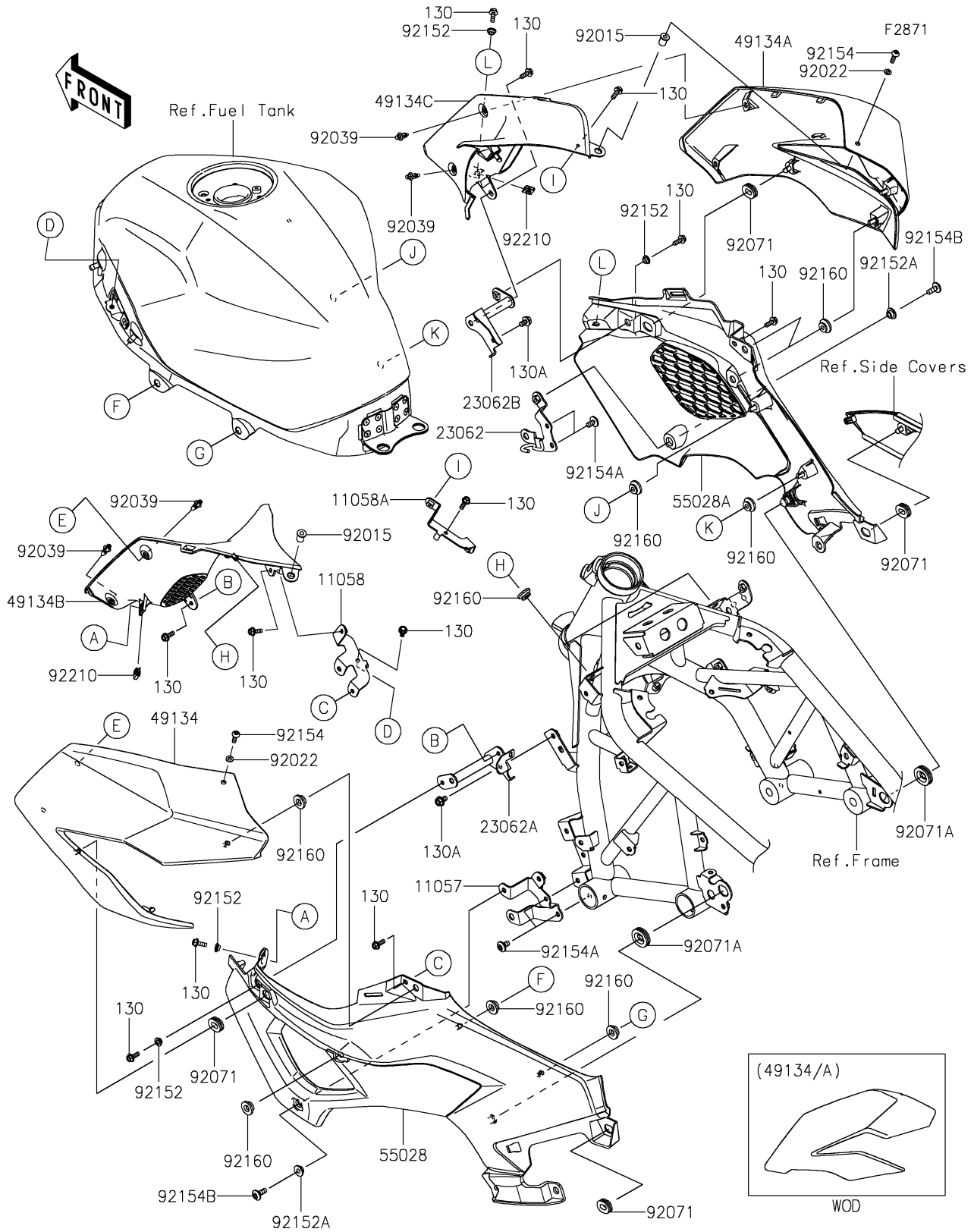


# 2024 Z7 HYBRID ABS

## PARTS DIAGRAM

### Cowling(Center)



# 2024 Z7 HYBRID ABS

## PARTS LIST

Cowling(Center)

**ITEM NAME**

**PART NUMBER**

**QUANTITY**

---