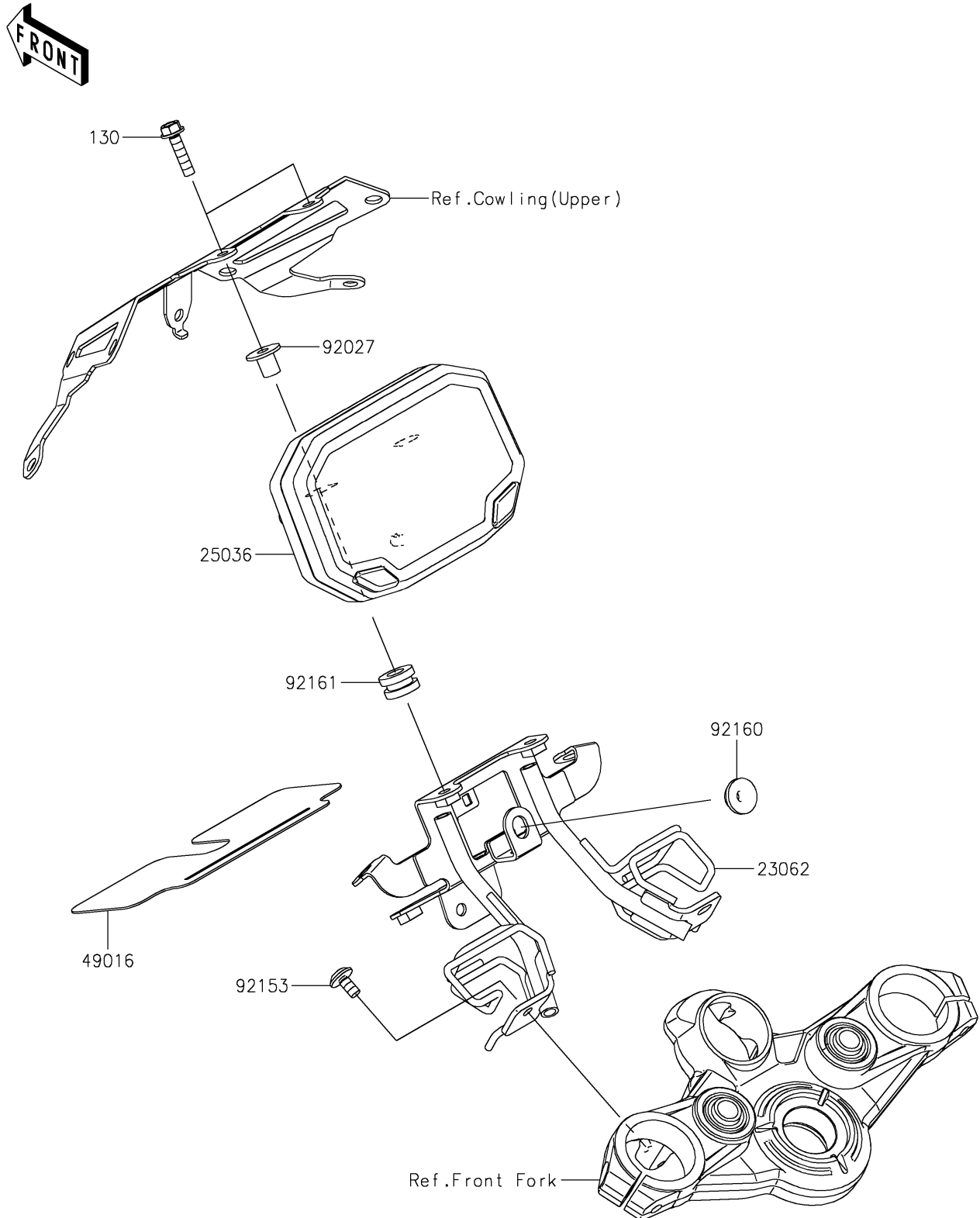


# 2024 Z7 HYBRID ABS

## PARTS DIAGRAM

Meter(s)

F2530



# 2024 Z7 HYBRID ABS

## PARTS LIST

Meter(s)

**ITEM NAME**

**PART NUMBER**

**QUANTITY**

---