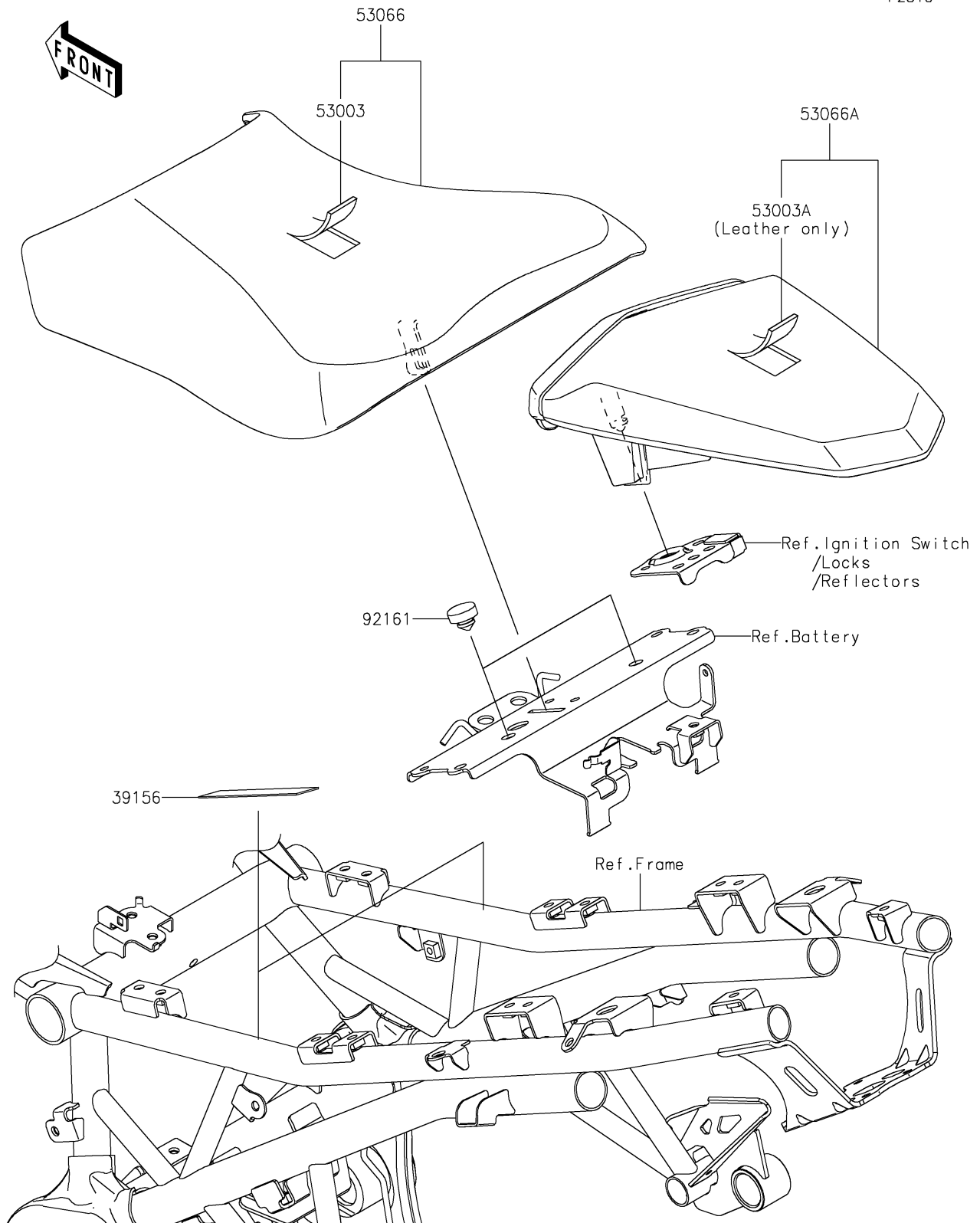


# 2024 Z7 HYBRID ABS

## PARTS DIAGRAM

Seat

F2510



# 2024 Z7 HYBRID ABS

## PARTS LIST

Seat



ITEM NAME	PART NUMBER	QUANTITY
-----------	-------------	----------

---