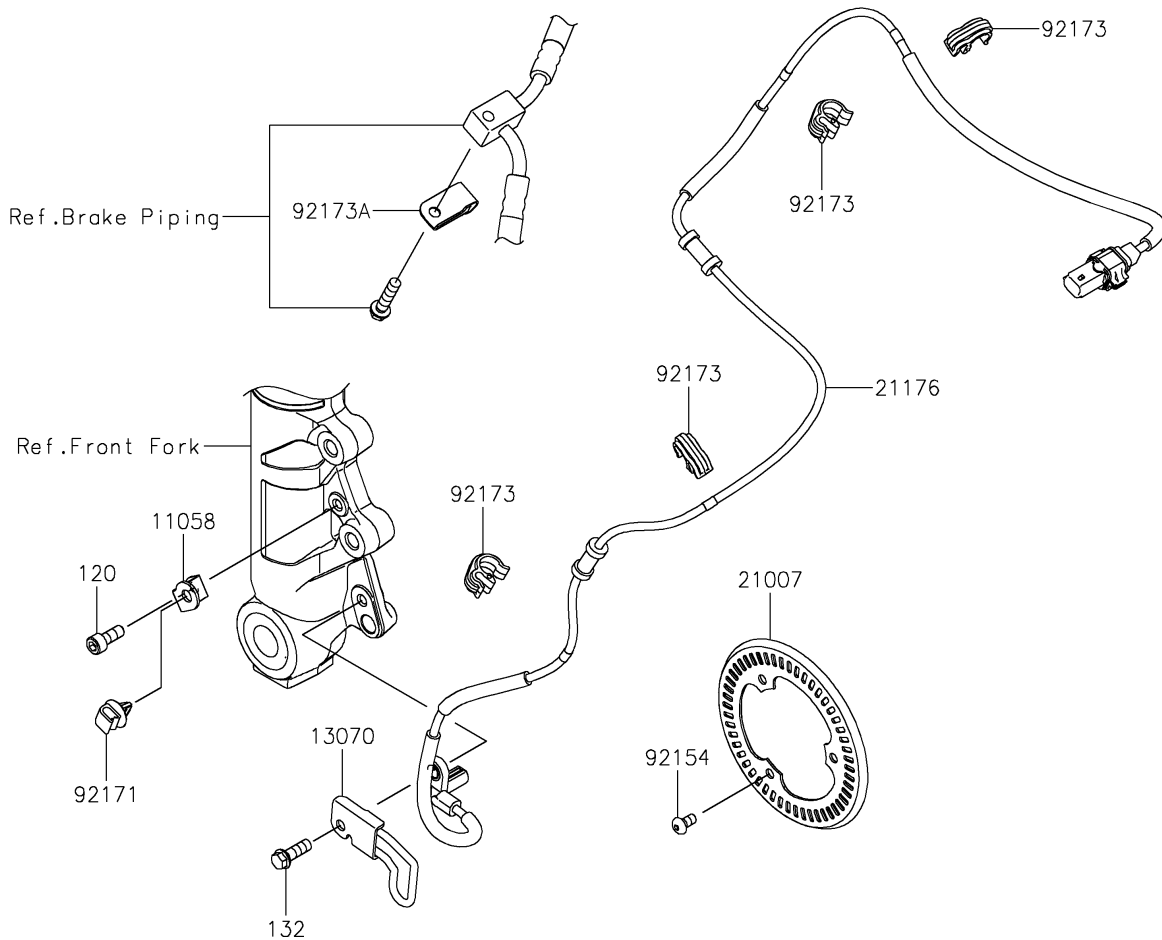
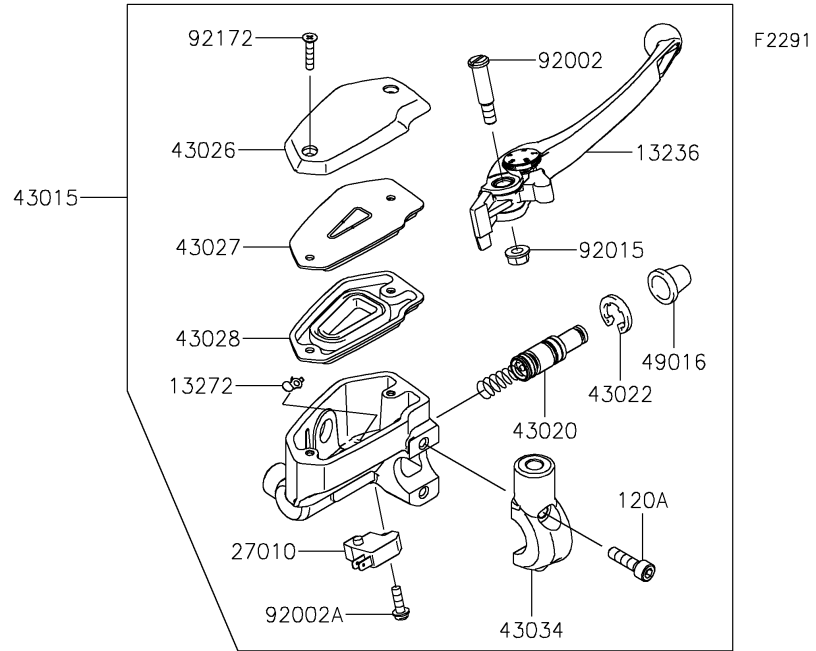


# 2024 Z7 HYBRID ABS

## PARTS DIAGRAM

### Front Master Cylinder



# 2024 Z7 HYBRID ABS

## PARTS LIST

### Front Master Cylinder

**ITEM NAME**

**PART NUMBER**

**QUANTITY**

---