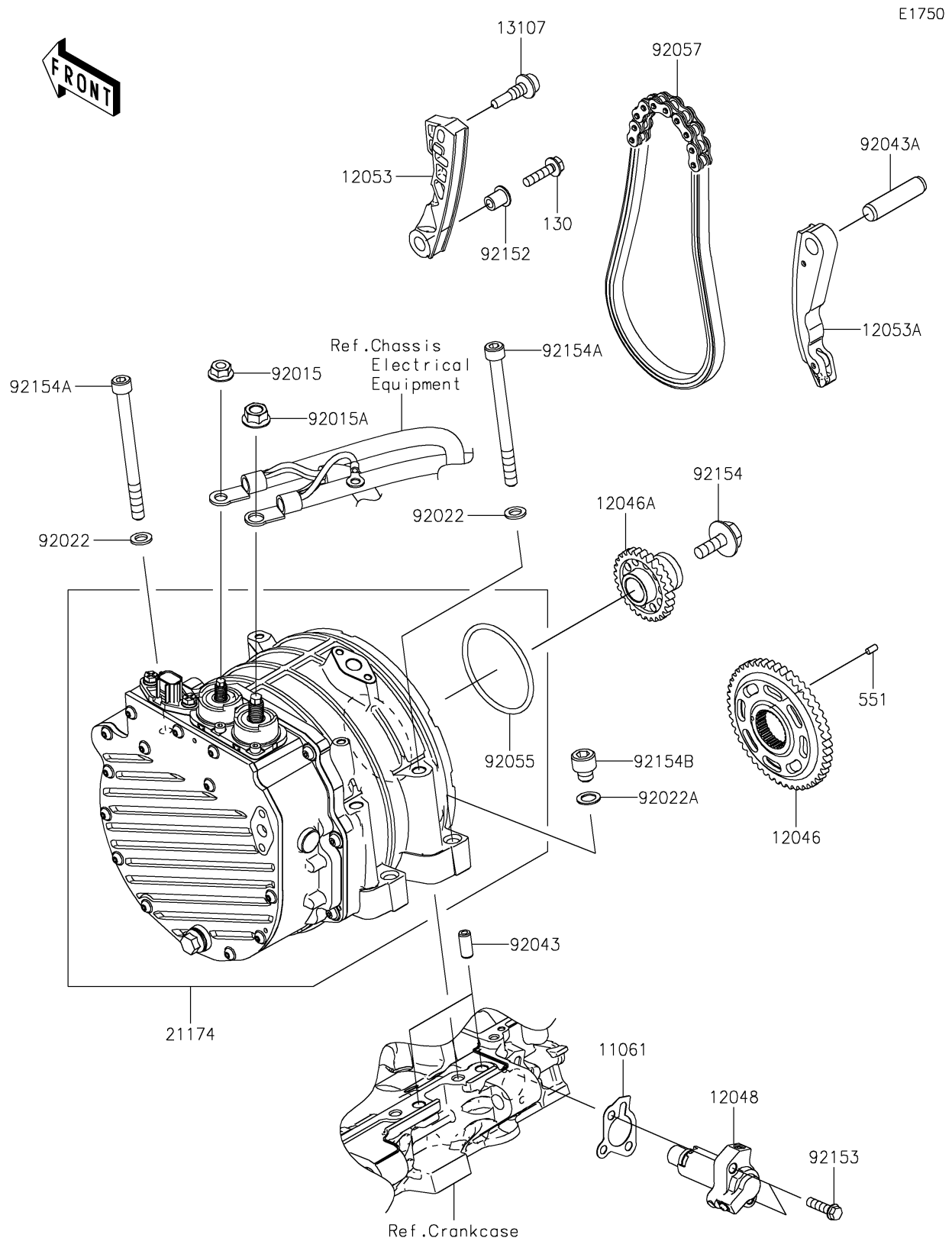


2024 Z7 HYBRID ABS

PARTS DIAGRAM

Electric Motor



2024 Z7 HYBRID ABS

PARTS LIST

Electric Motor



ITEM NAME	PART NUMBER	QUANTITY
-----------	-------------	----------
