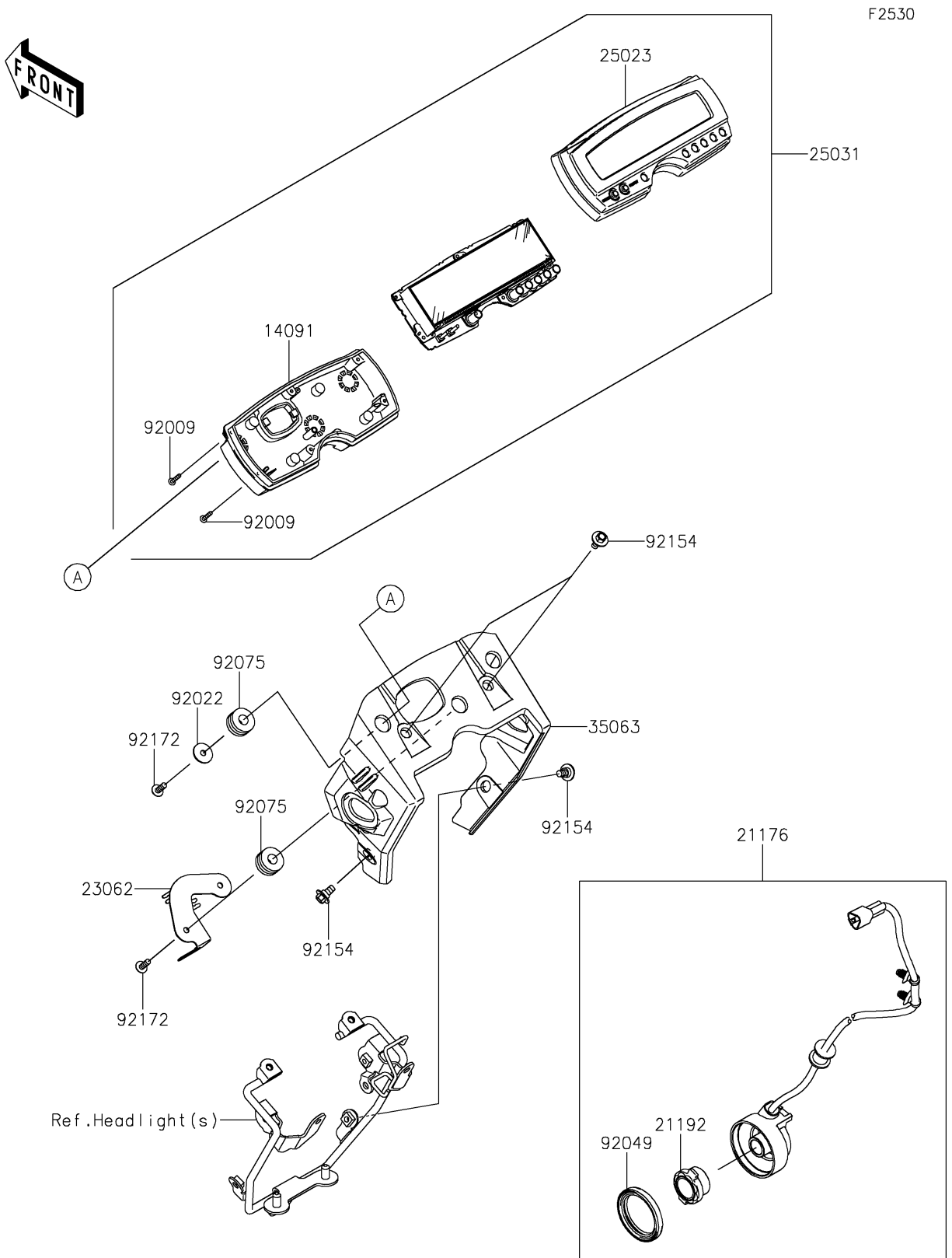


# 2026 KLX300

## PARTS DIAGRAM

### Meter(s)



# 2026 KLX300

## PARTS LIST

Meter(s)

**ITEM NAME**

**PART NUMBER**

**QUANTITY**

---