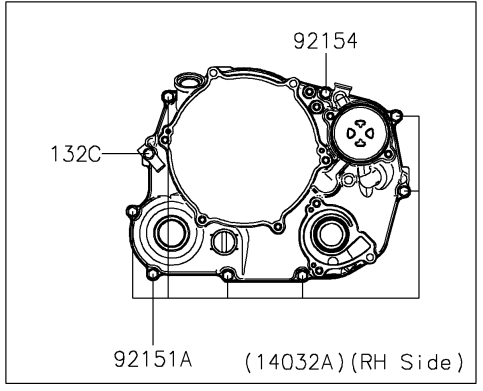
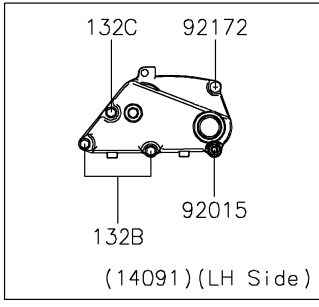
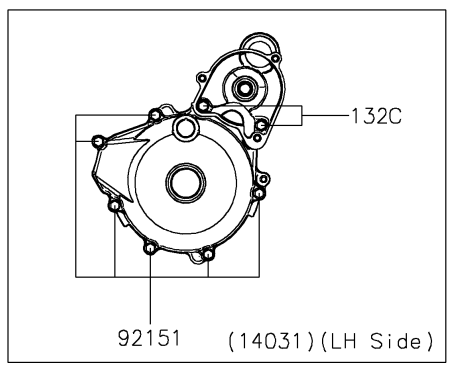
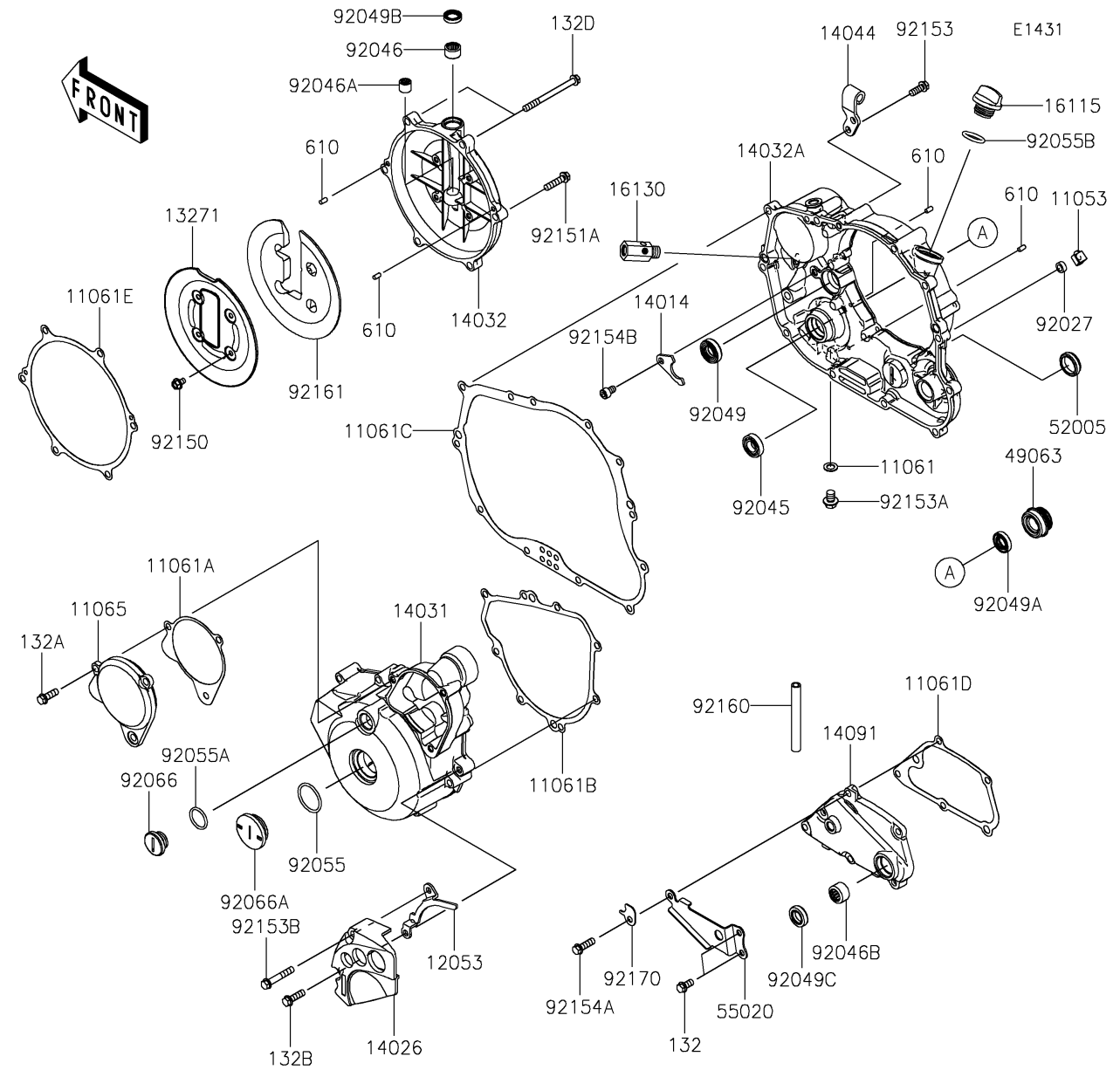


# 2026 KLX300

## PARTS DIAGRAM

### Engine Cover(s)



# 2026 KLX300

## PARTS LIST

Engine Cover(s)

**ITEM NAME**

**PART NUMBER**

**QUANTITY**

---