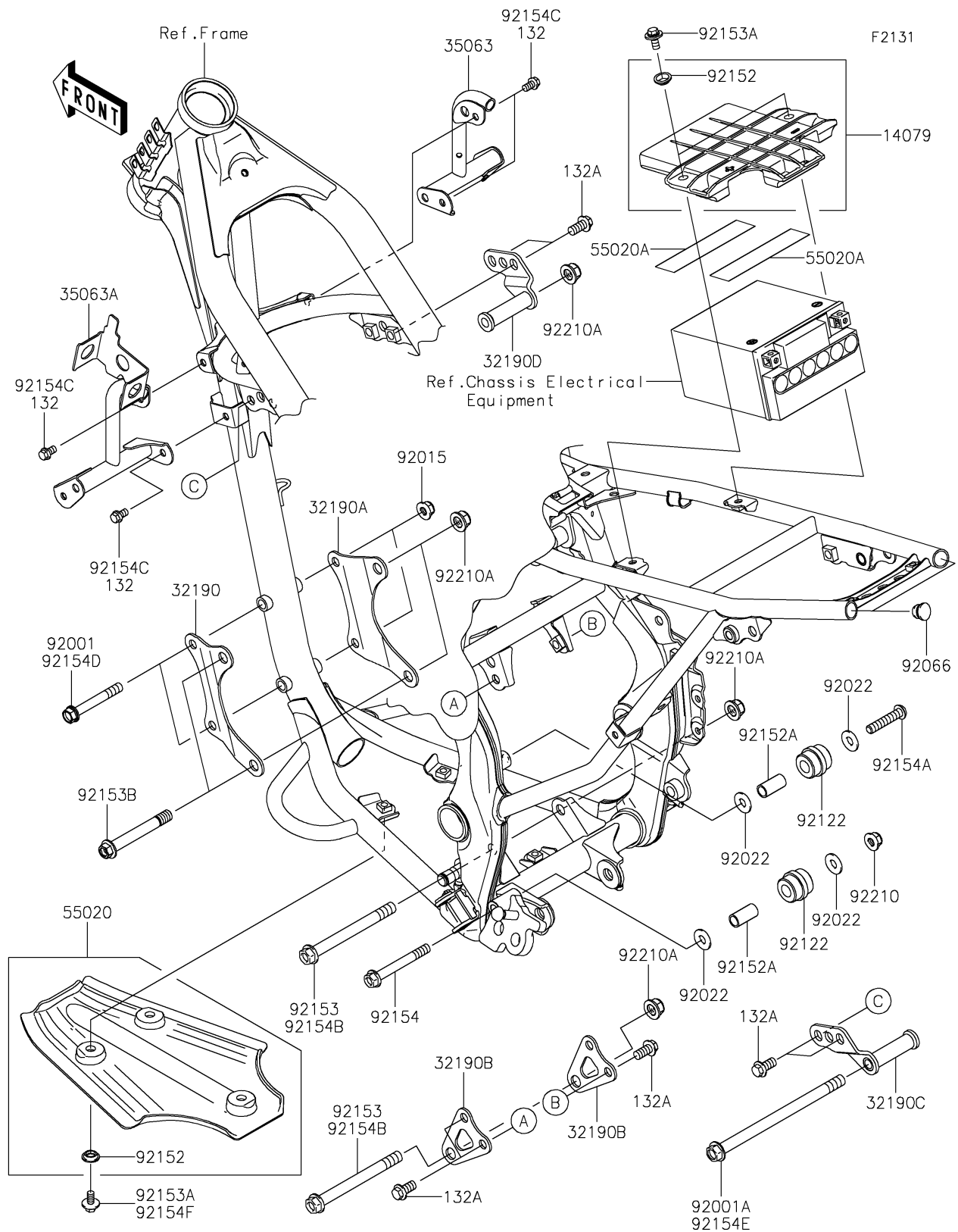


# 2026 KLX<sup>®</sup>140R F

## PARTS DIAGRAM

### Frame Fittings



# 2026 KLX<sup>®</sup>140R F

## PARTS LIST Frame Fittings

ITEM NAME	PART NUMBER	QUANTITY
-----------	-------------	----------

---