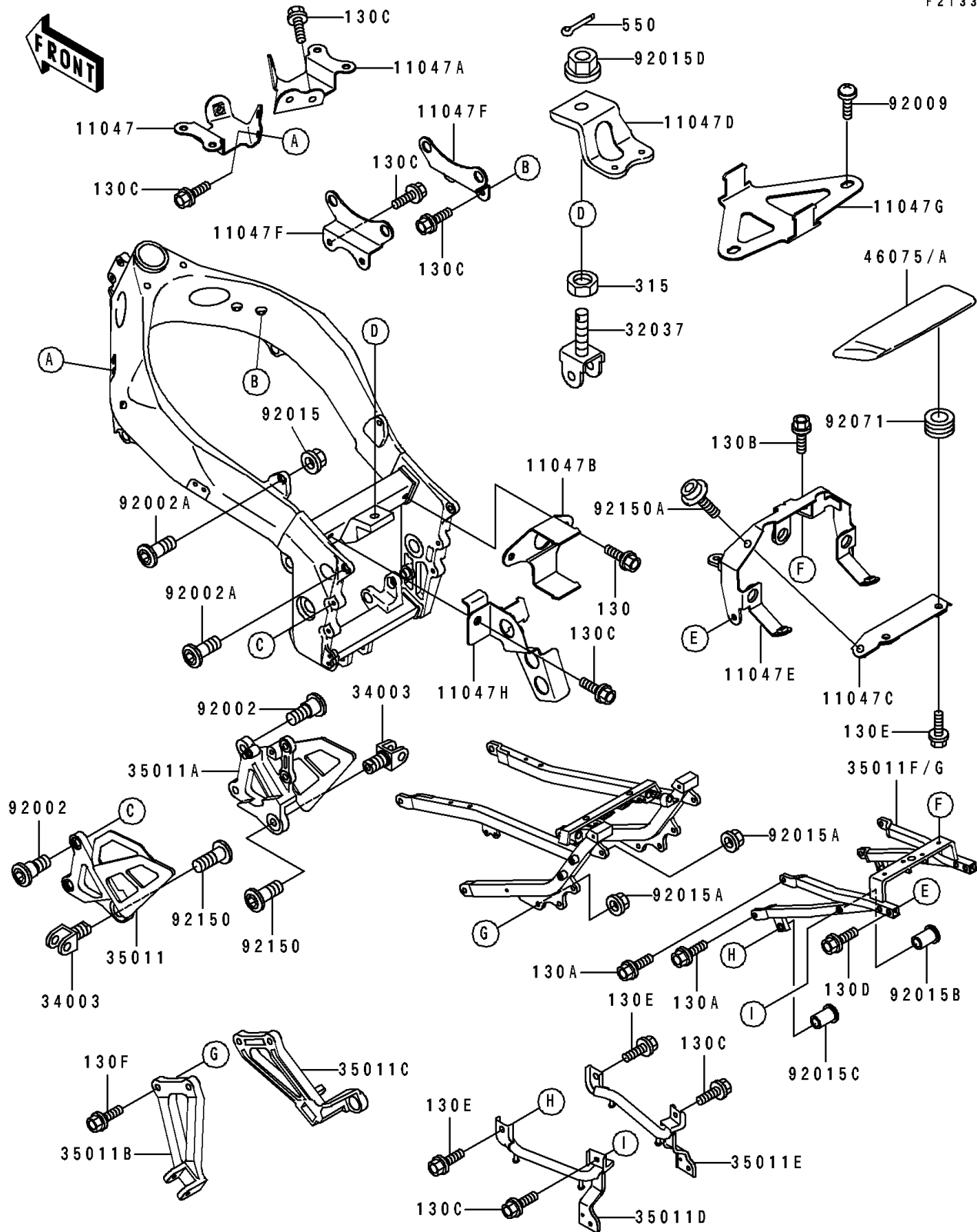


# 1991 Ninja<sup>®</sup> ZX<sup>™</sup>-7

## PARTS DIAGRAM

### Electro Bracket

F2133



# 1991 Ninja<sup>®</sup> ZX<sup>™</sup>-7

## PARTS LIST

### Electro Bracket

**ITEM NAME**

**PART NUMBER**

**QUANTITY**

---