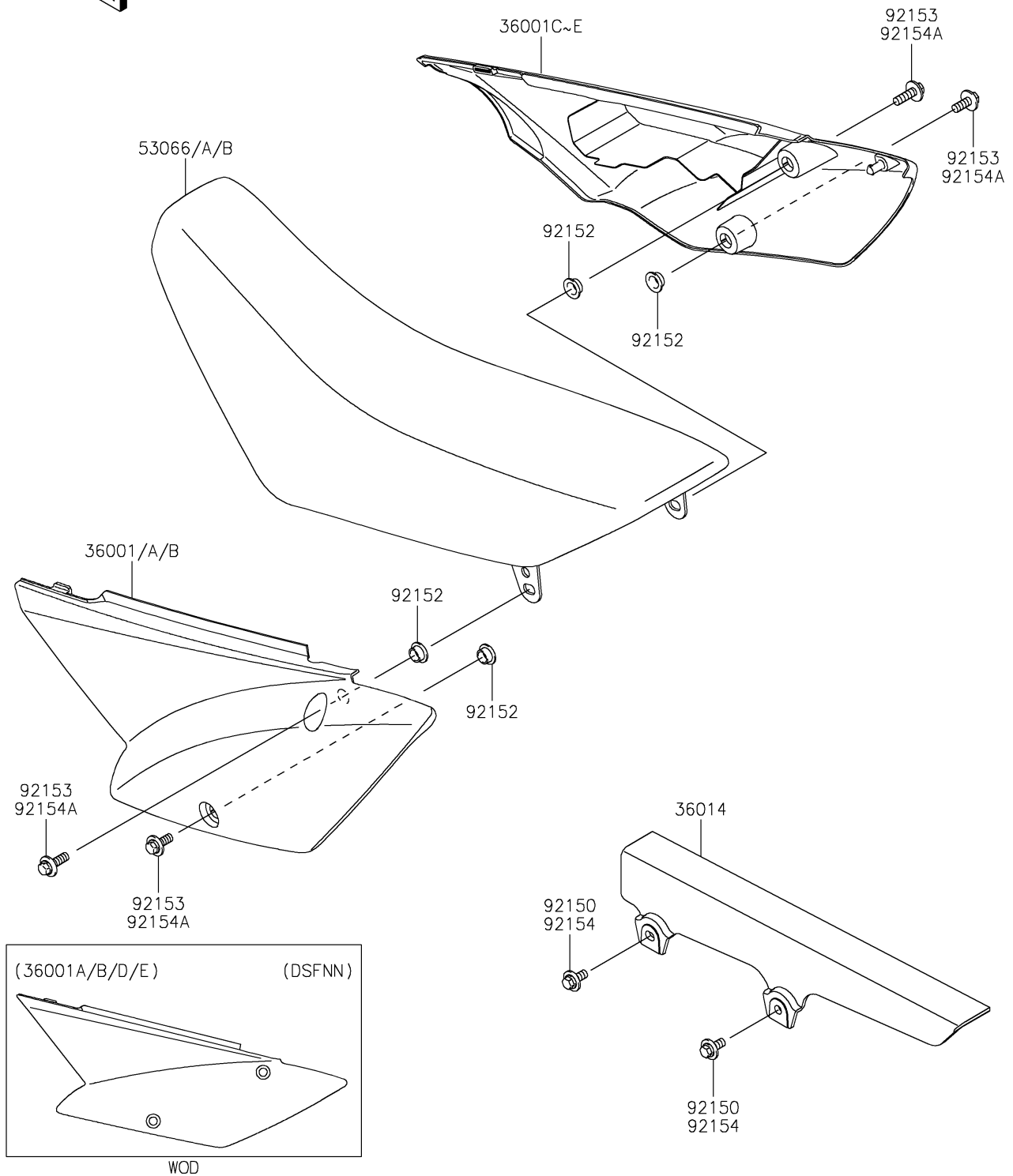


# 2024 KLX<sup>®</sup>110R L

## PARTS DIAGRAM

### Side Covers/Chain Cover

F2610



# 2024 KLX<sup>®</sup>110R L

## PARTS LIST

### Side Covers/Chain Cover

**ITEM NAME**

**PART NUMBER**

**QUANTITY**

---