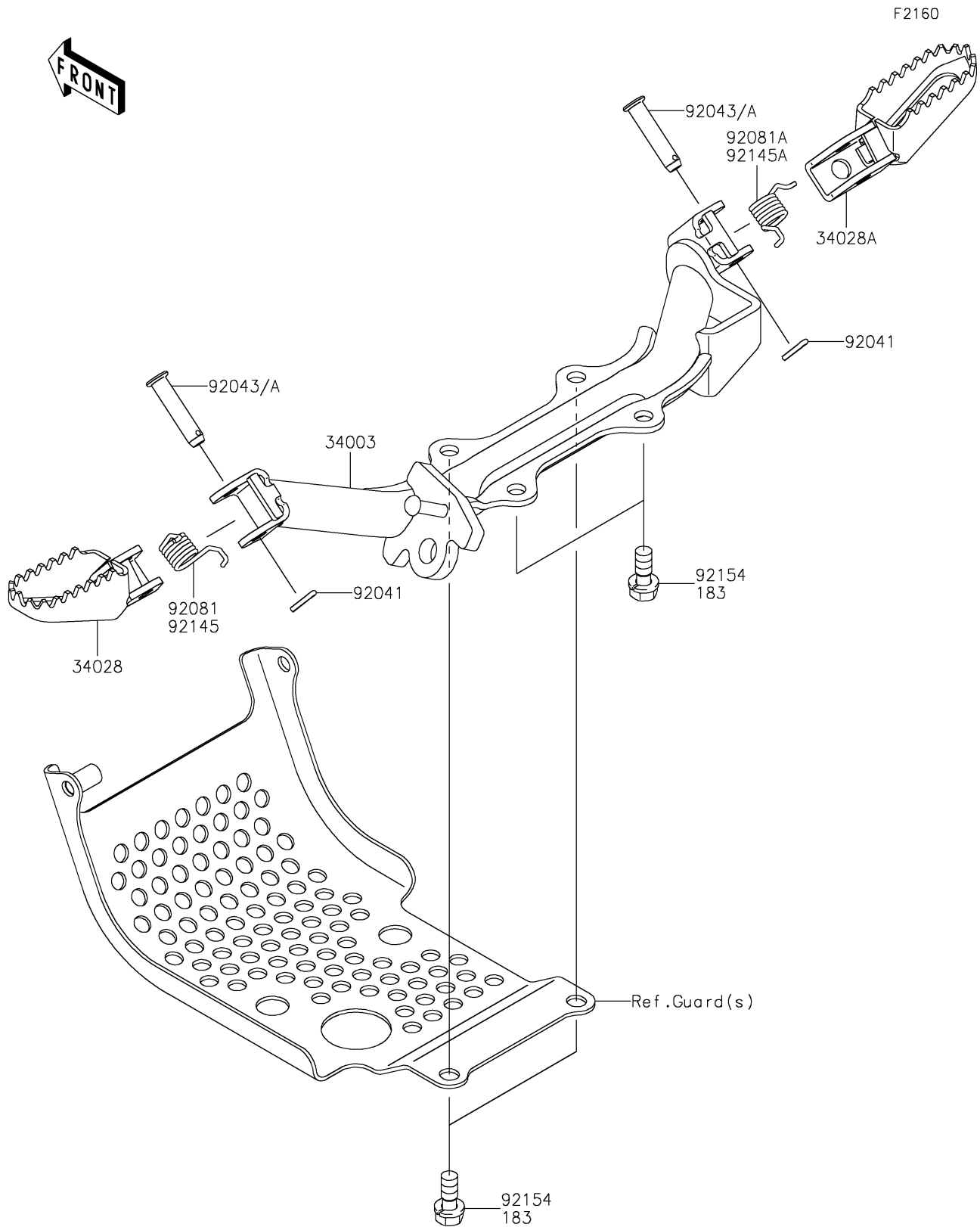


# 2024 KLX<sup>®</sup>110R L

## PARTS DIAGRAM

### Footrests



# 2024 KLX<sup>®</sup>110R L

## PARTS LIST

### Footrests

**ITEM NAME**

**PART NUMBER**

**QUANTITY**

---