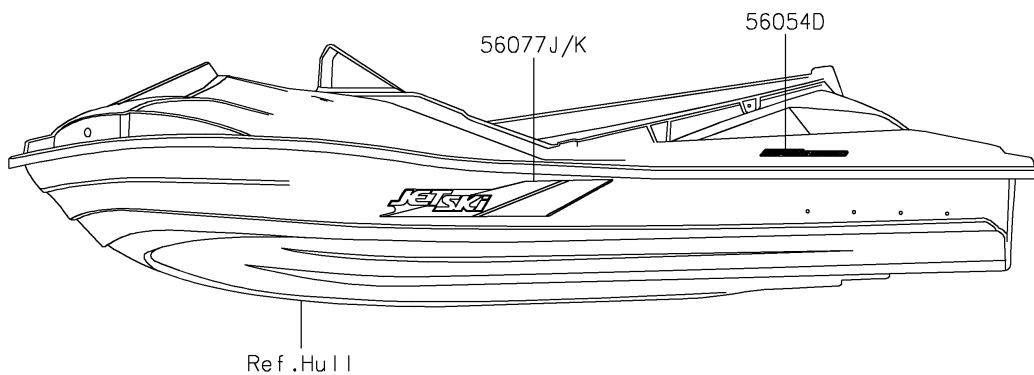
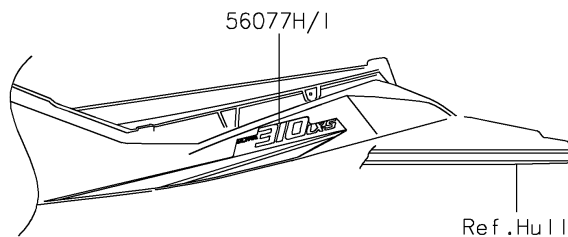
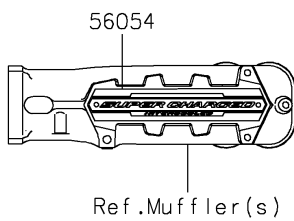
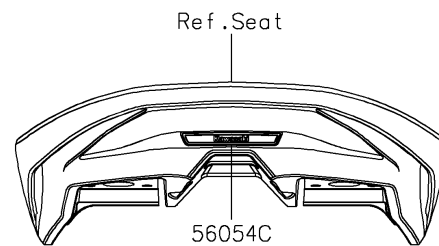
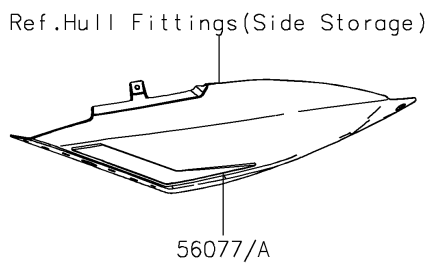
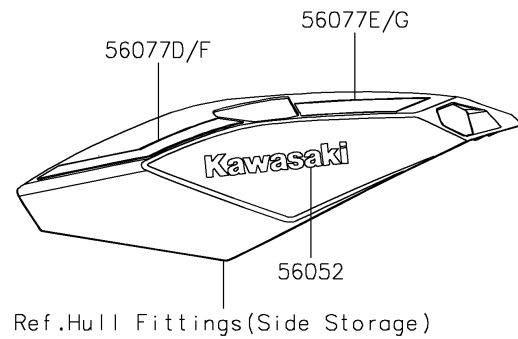
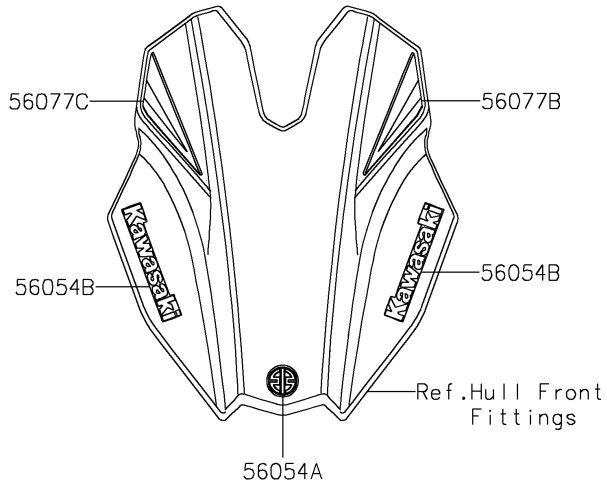


2025 JET SKI® ULTRA® 310LX-S

PARTS DIAGRAM

Decals

F3880



2025 JET SKI® ULTRA® 310LX-S



PARTS LIST

Decals

ITEM NAME	PART NUMBER	QUANTITY
-----------	-------------	----------
