

2024 MULE SX™ 4x4 XC LE

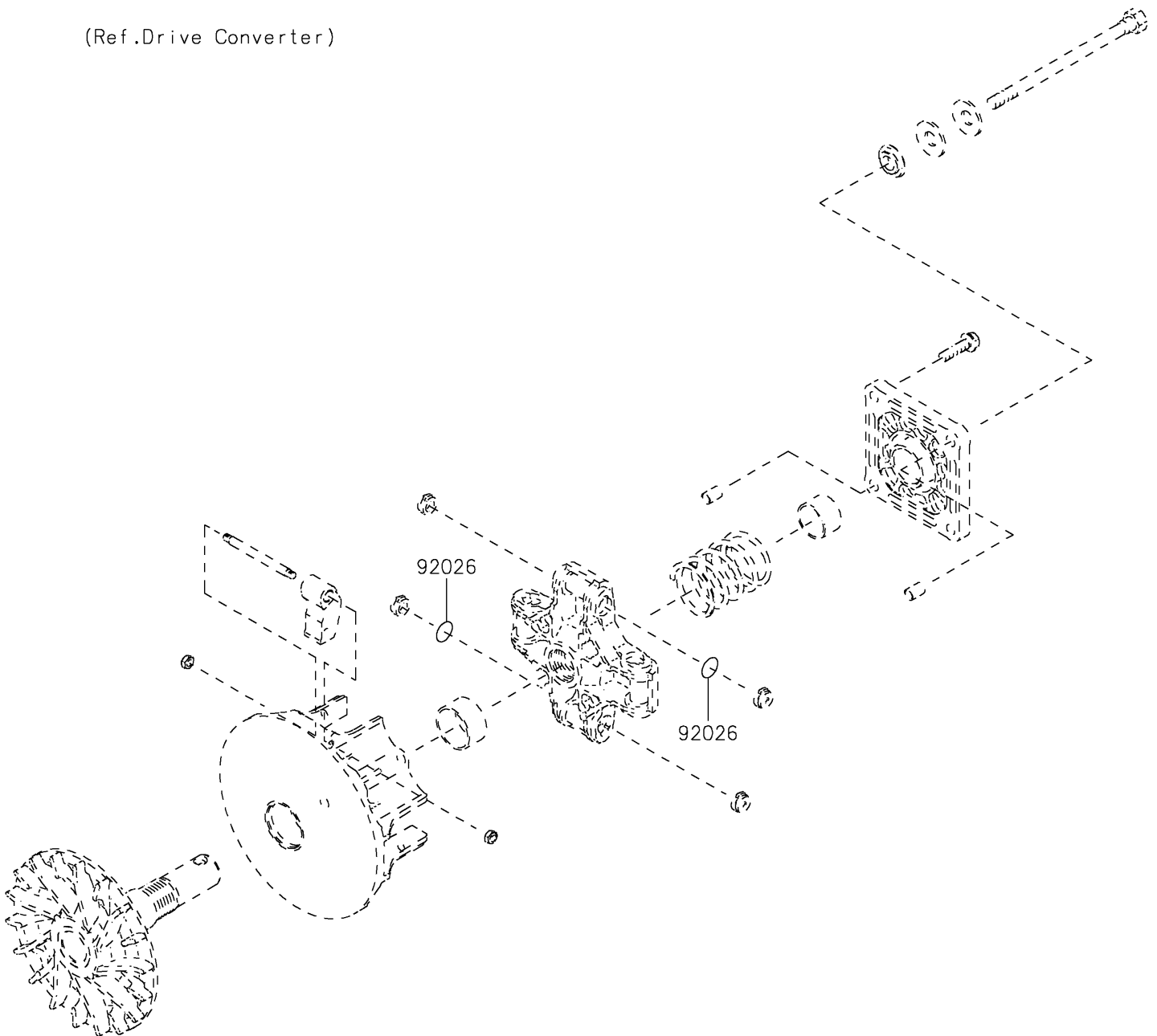
PARTS DIAGRAM

Optional Parts

F2890



(Ref. Drive Converter)



2024 MULE SX™ 4x4 XC LE

PARTS LIST

Optional Parts

ITEM NAME

PART NUMBER

QUANTITY
