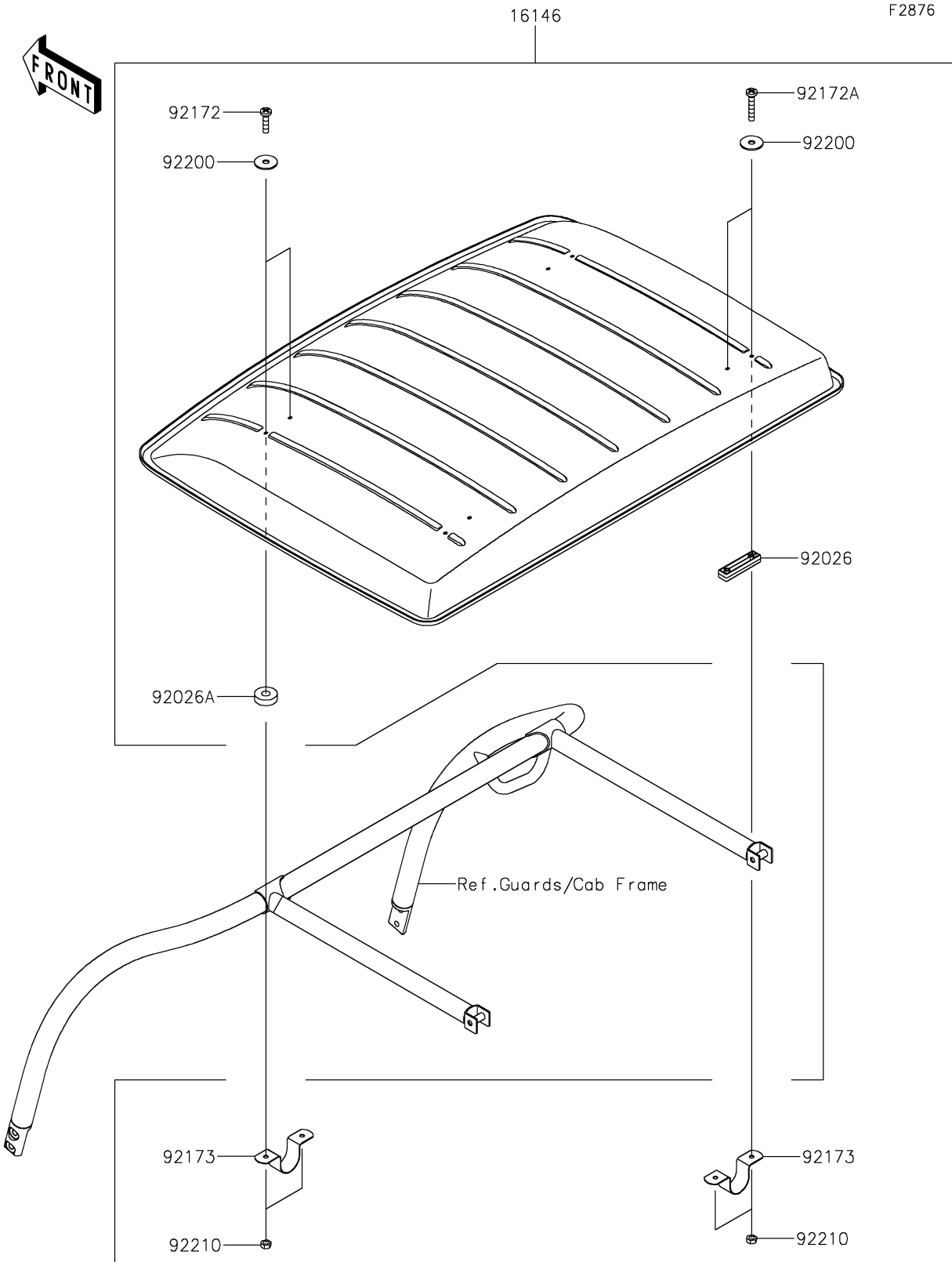


2024 MULE SX™ 4x4 XC LE

PARTS DIAGRAM

Sun Top



2024 MULE SX™ 4x4 XC LE

PARTS LIST

Sun Top



ITEM NAME	PART NUMBER	QUANTITY
-----------	-------------	----------
