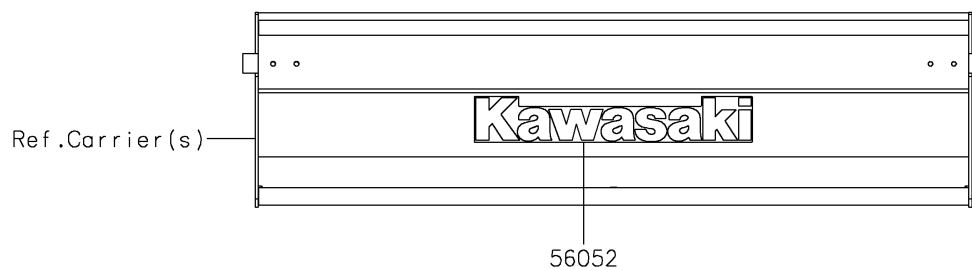
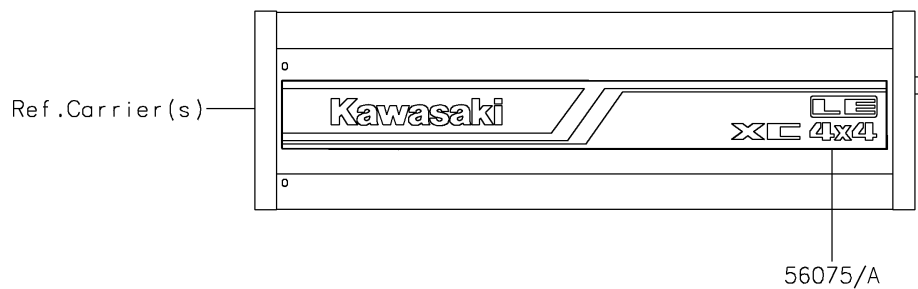
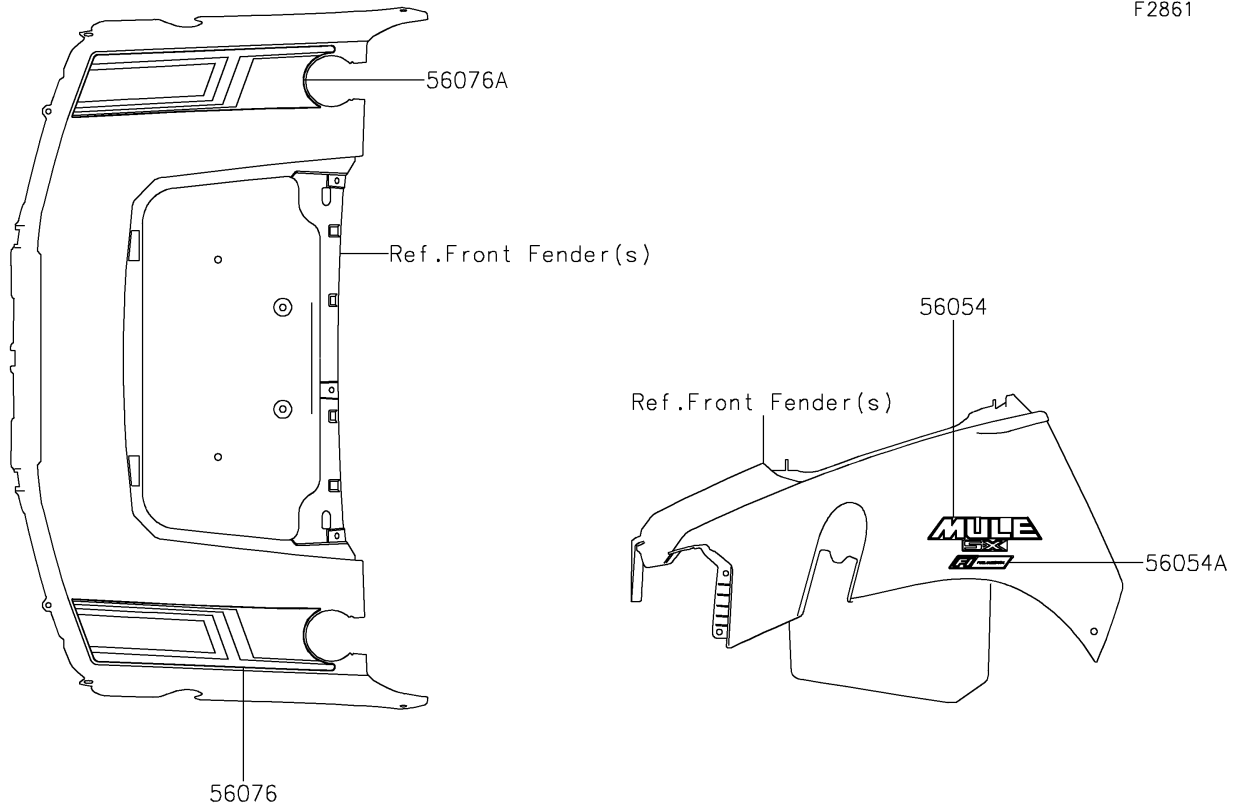


# 2024 MULE SX™ 4x4 XC LE

## PARTS DIAGRAM

### Decals(Black)(TRSNN)

F2861



# 2024 MULE SX™ 4x4 XC LE

## PARTS LIST

Decals(Black)(TRSNN)

**ITEM NAME**

**PART NUMBER**

**QUANTITY**

---