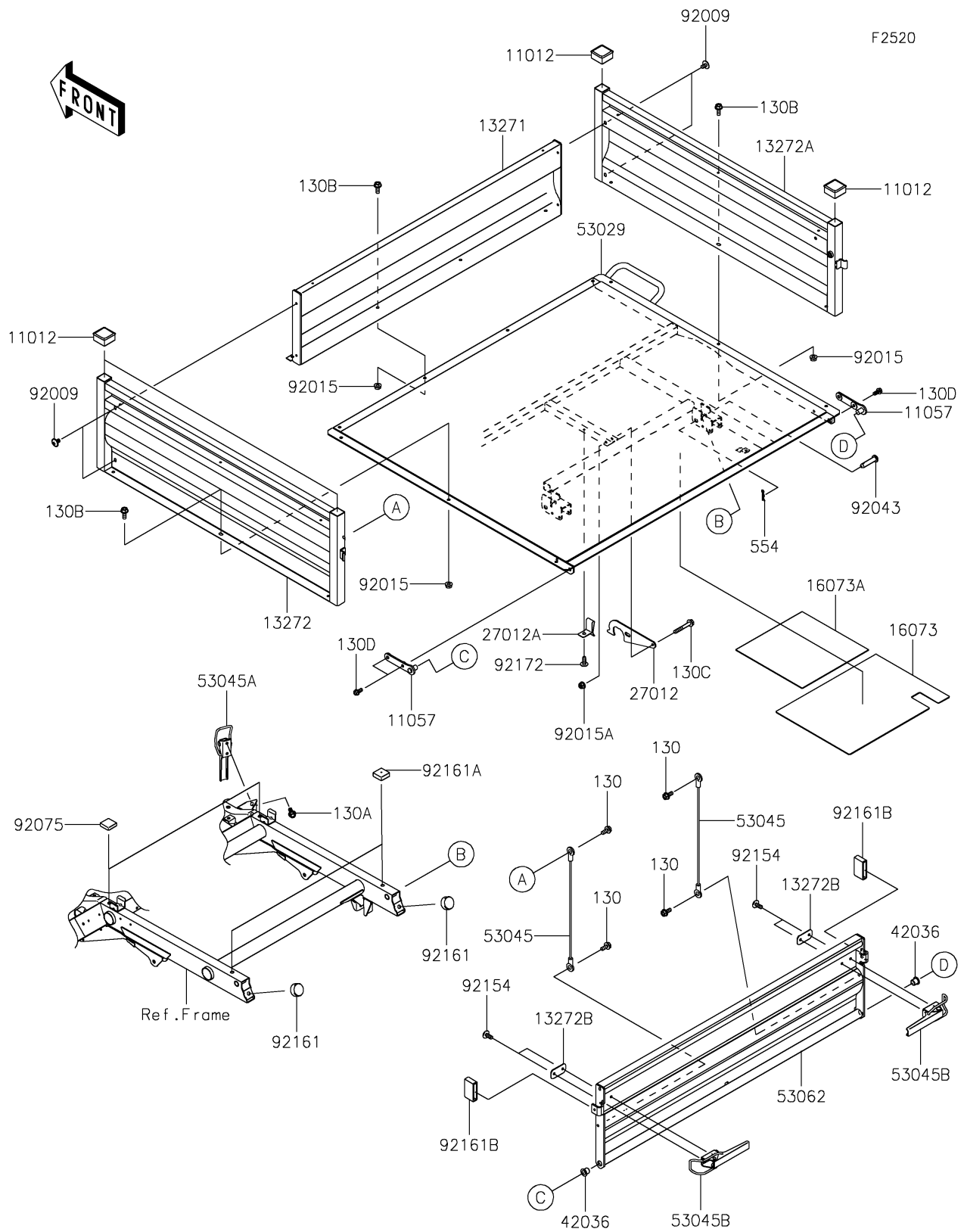


# 2024 MULE SX™ 4x4 XC LE

## PARTS DIAGRAM

### Carrier(s)



# 2024 MULE SX™ 4x4 XC LE

## PARTS LIST

Carrier(s)

**ITEM NAME**

**PART NUMBER**

**QUANTITY**

---