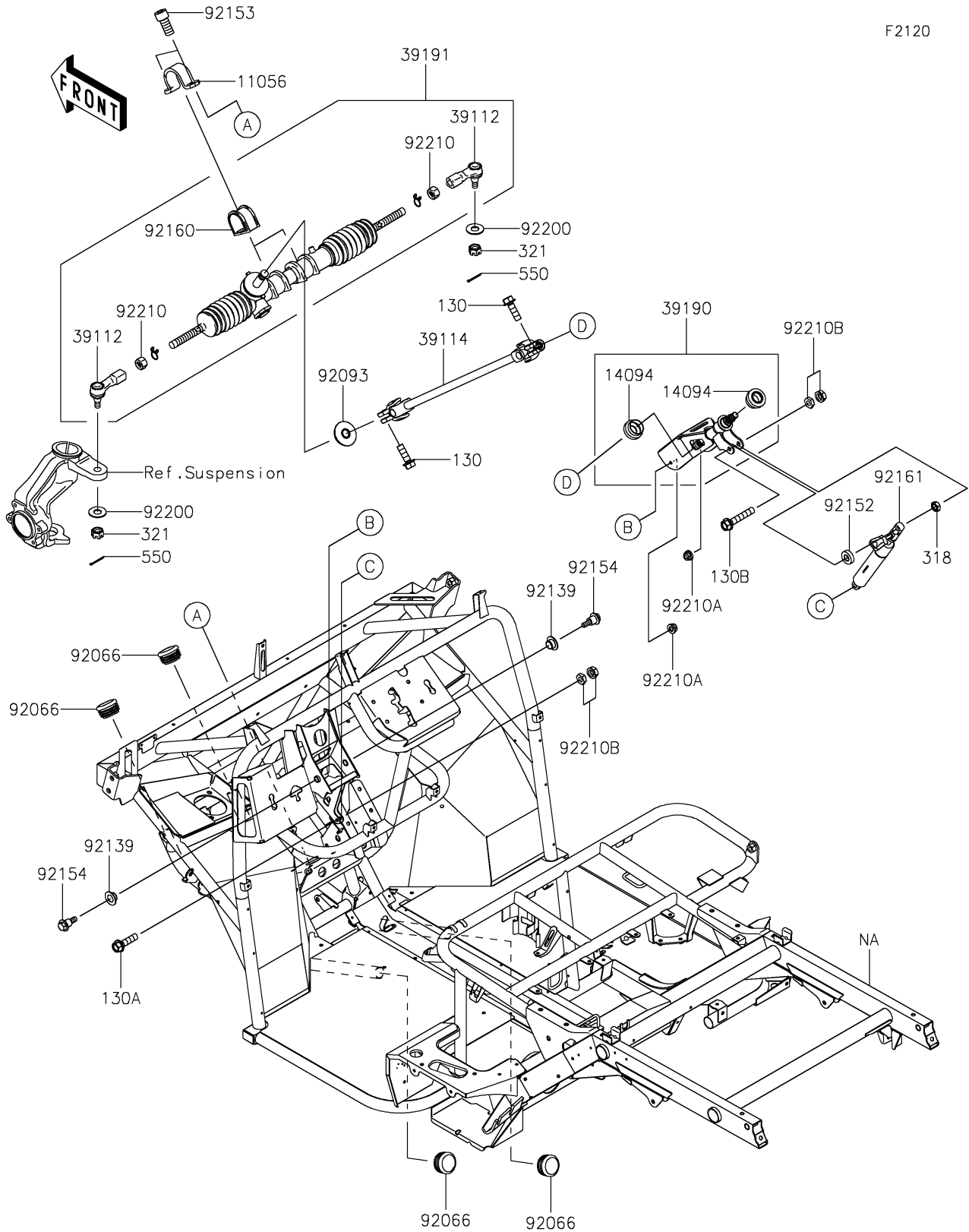


2024 MULE SX™ 4x4 XC LE

PARTS DIAGRAM

Frame



2024 MULE SX™ 4x4 XC LE

PARTS LIST

Frame

ITEM NAME	PART NUMBER	QUANTITY
-----------	-------------	----------
