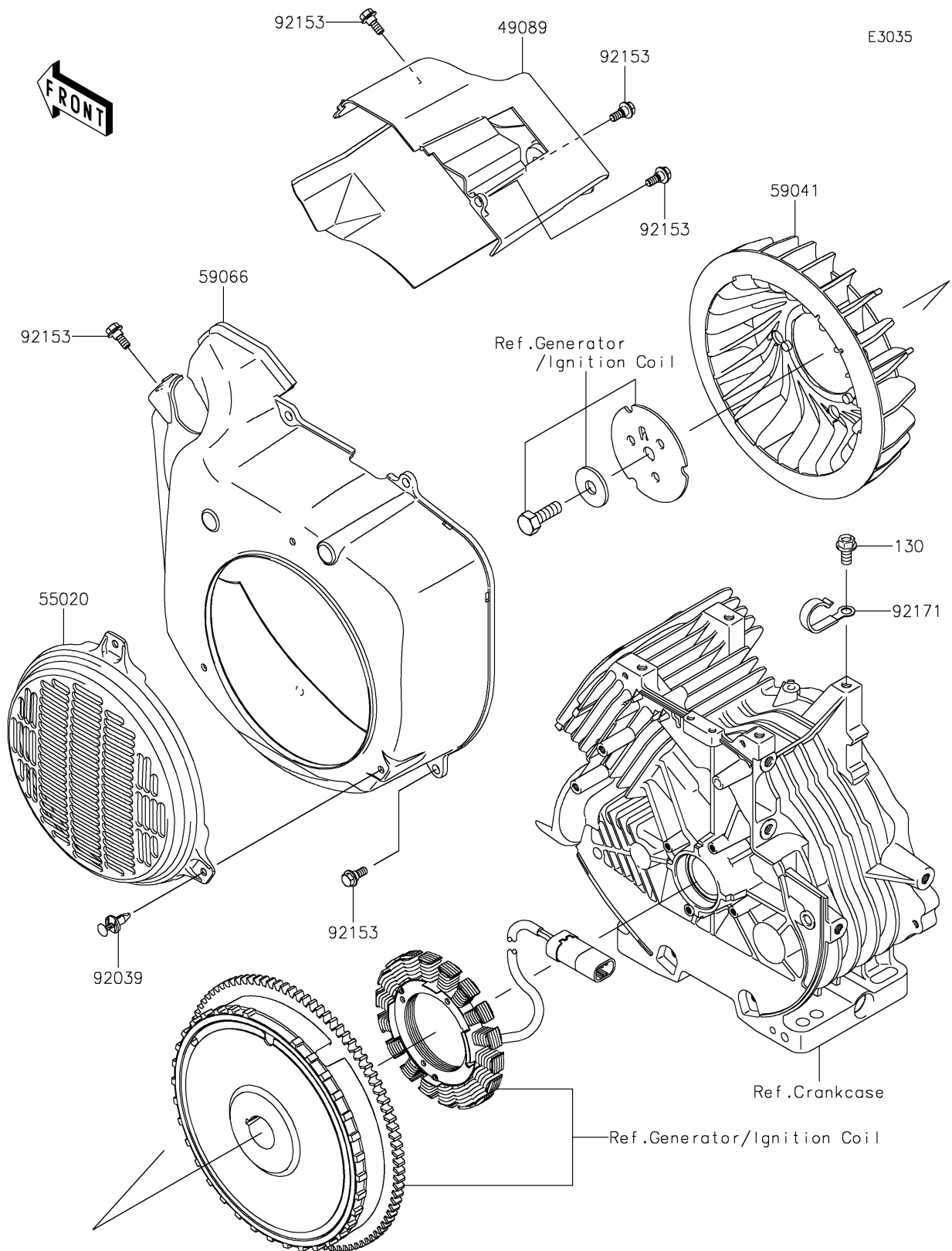


# 2024 MULE SX™ 4x4 XC LE

## PARTS DIAGRAM

### Cooling



# 2024 MULE SX™ 4x4 XC LE

## PARTS LIST

### Cooling

| ITEM NAME | PART NUMBER | QUANTITY |
|-----------|-------------|----------|
|-----------|-------------|----------|

---