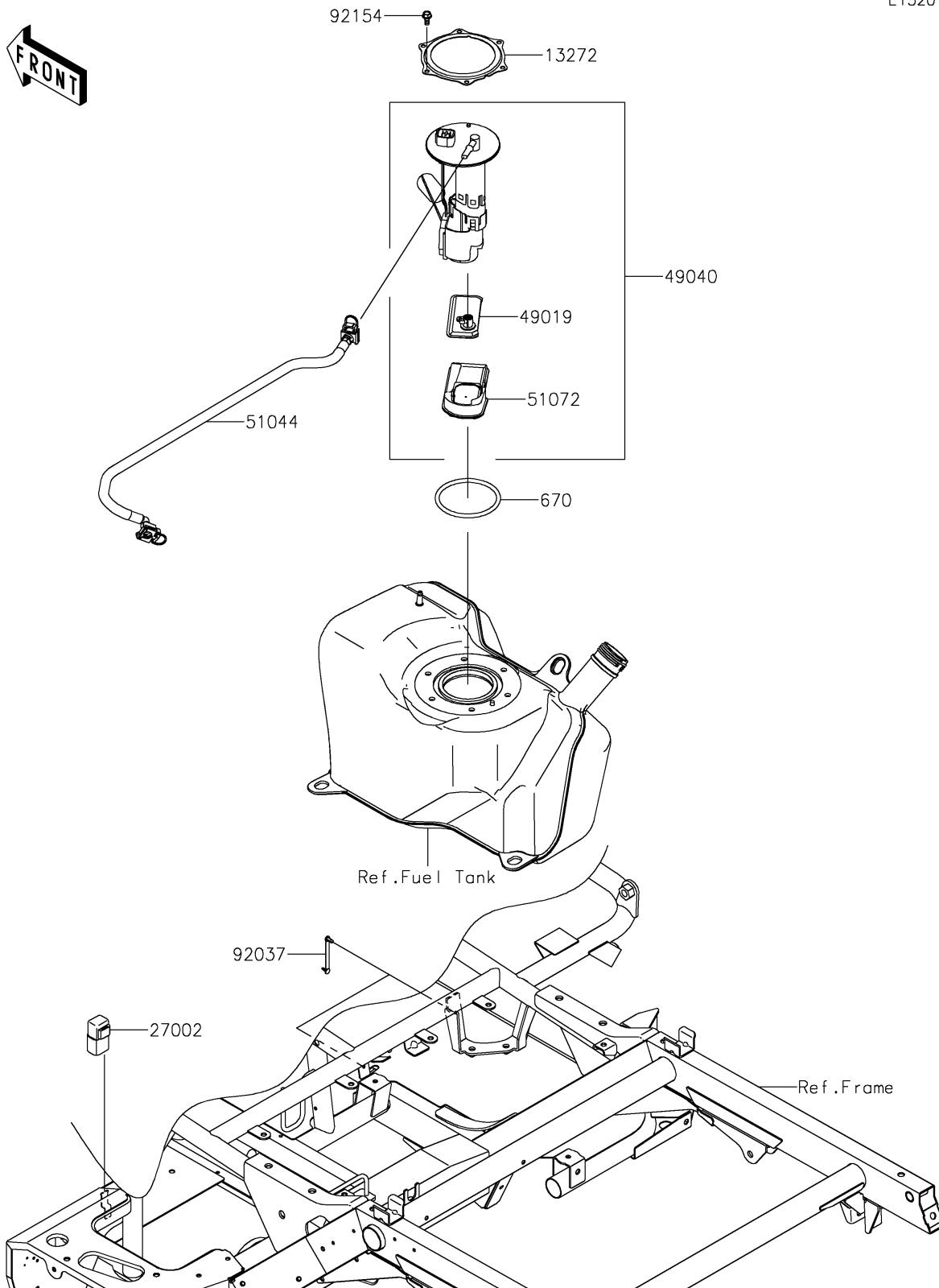


# 2024 MULE SX™ 4x4 XC LE

## PARTS DIAGRAM

### Fuel Pump

E1520



# 2024 MULE SX™ 4x4 XC LE

## PARTS LIST

### Fuel Pump

**ITEM NAME**

**PART NUMBER**

**QUANTITY**

---