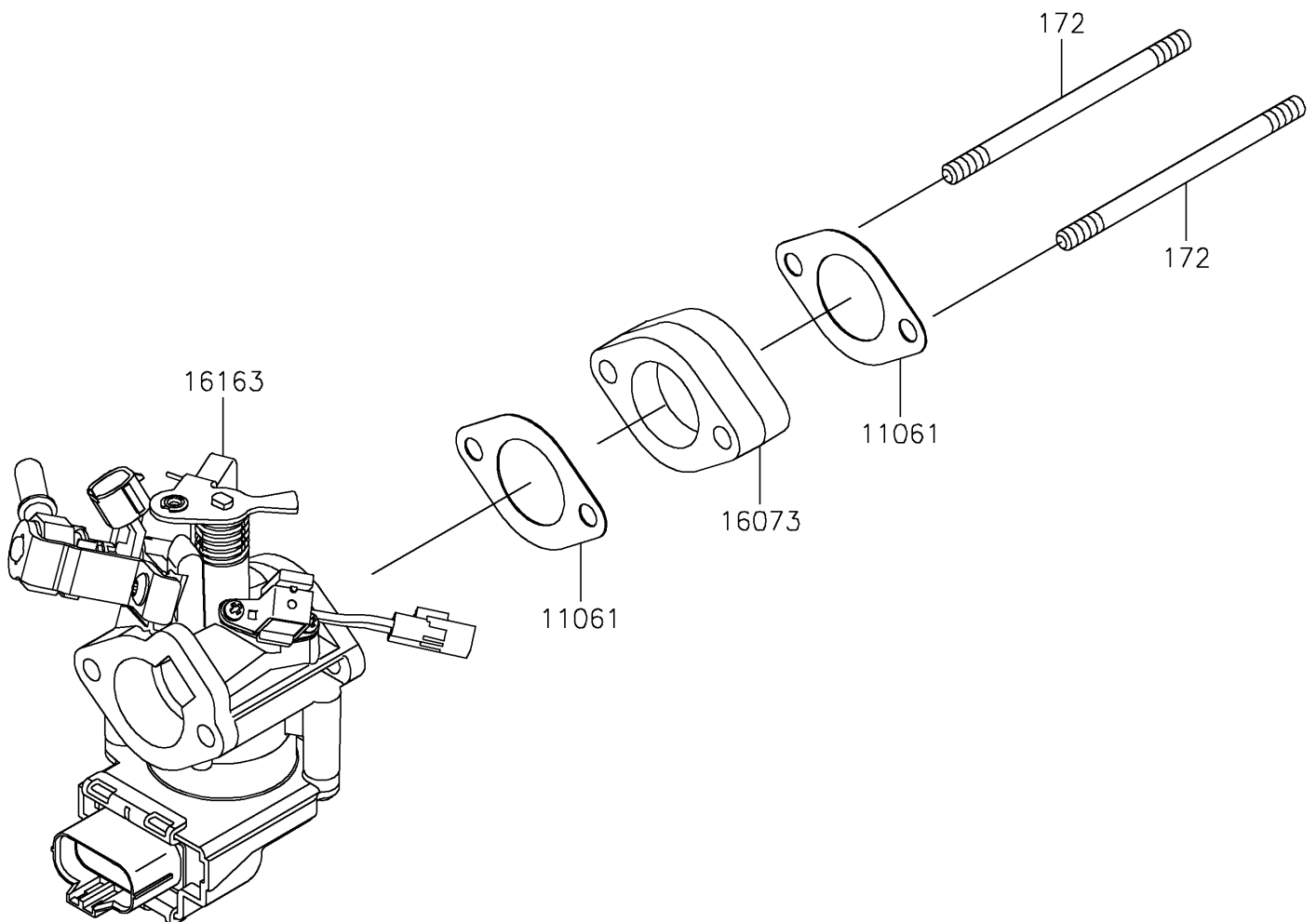


2024 MULE SX™ 4x4 XC LE

PARTS DIAGRAM

Throttle

E1510



2024 MULE SX™ 4x4 XC LE

PARTS LIST

Throttle

ITEM NAME

PART NUMBER

QUANTITY
