

# 2024 MULE SX™ 4x4

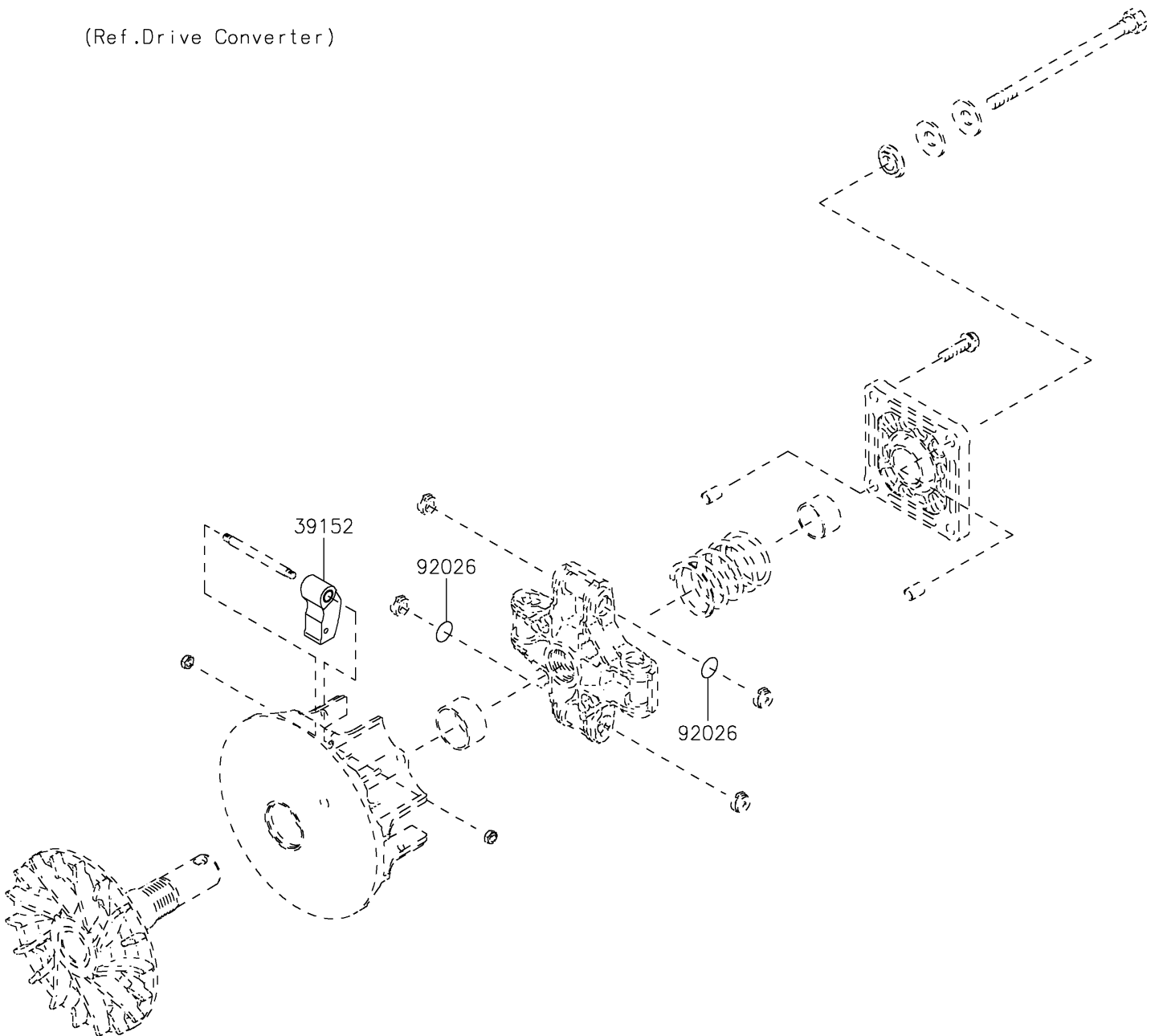
## PARTS DIAGRAM

### Optional Parts

F2890



(Ref. Drive Converter)



# 2024 MULE SX™ 4x4

## PARTS LIST

### Optional Parts



| ITEM NAME | PART NUMBER | QUANTITY |
|-----------|-------------|----------|
|-----------|-------------|----------|

---