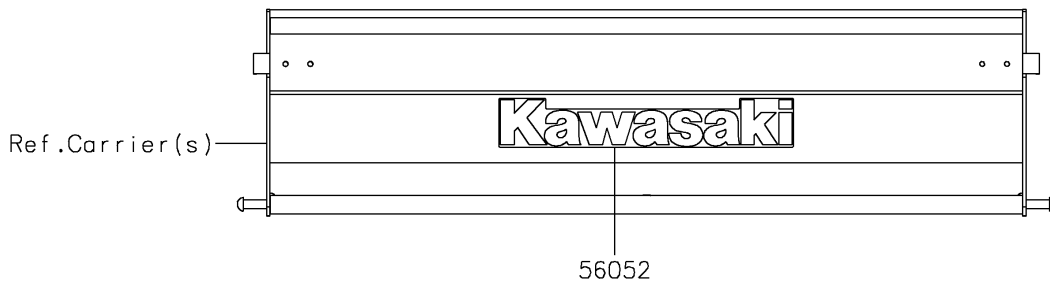
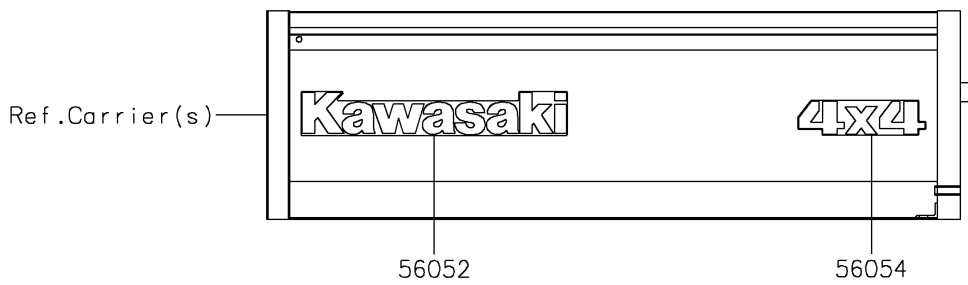
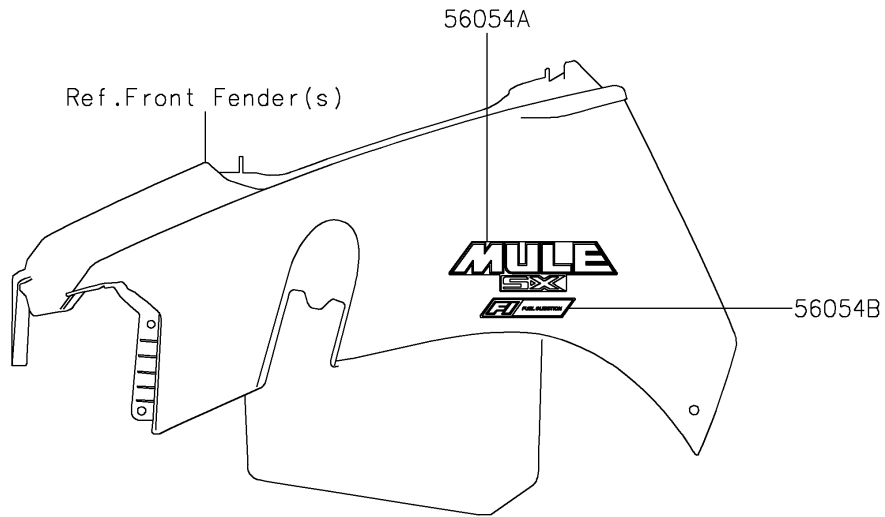


# 2024 MULE SX™ 4x4

## PARTS DIAGRAM

### Decals

F2861



# 2024 MULE SX™ 4x4

## PARTS LIST

### Decals

**ITEM NAME**

**PART NUMBER**

**QUANTITY**

---