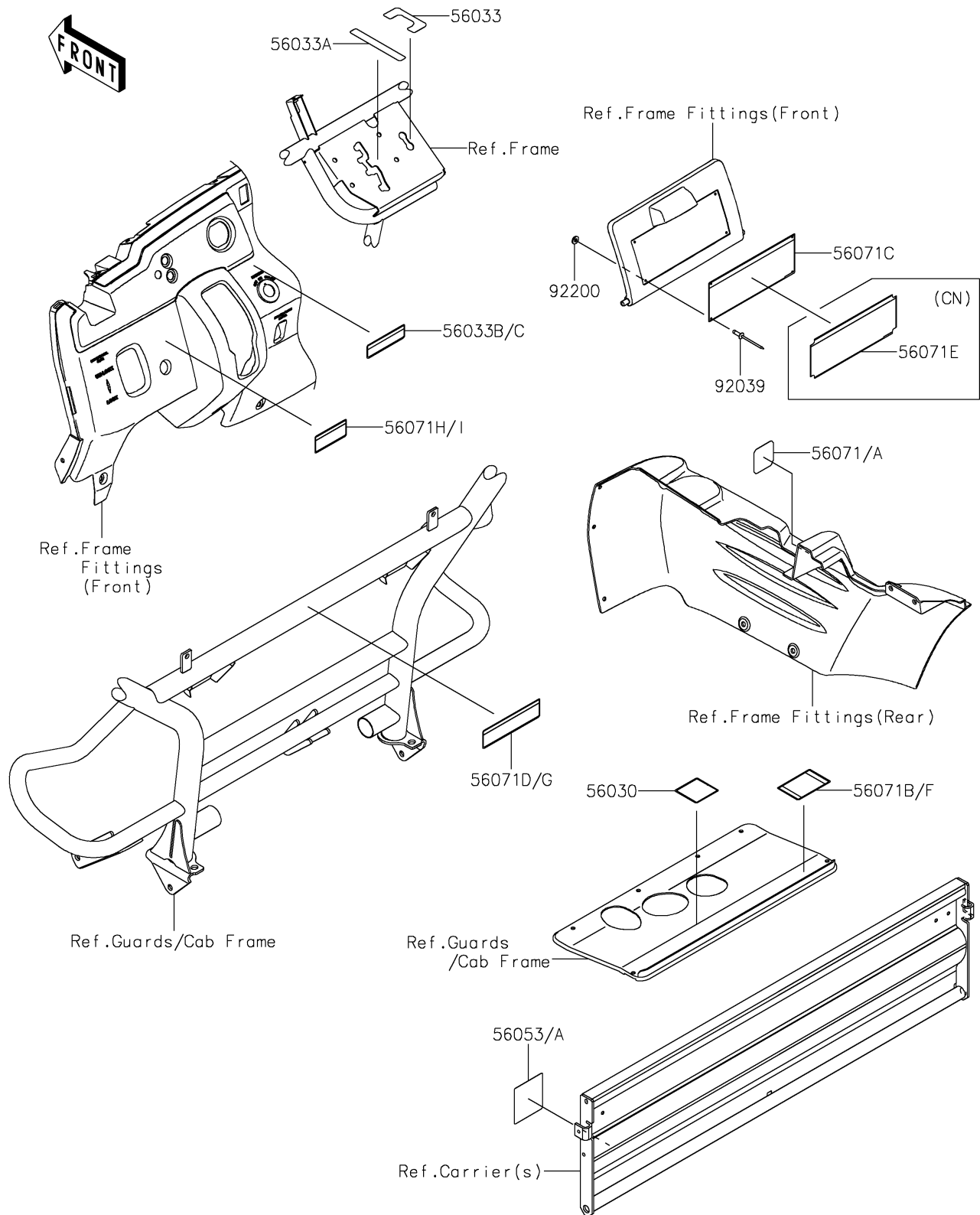


# 2024 MULE SX™ 4x4

## PARTS DIAGRAM

### Labels

F2860



# 2024 MULE SX™ 4x4

## PARTS LIST

### Labels



ITEM NAME	PART NUMBER	QUANTITY
-----------	-------------	----------

---