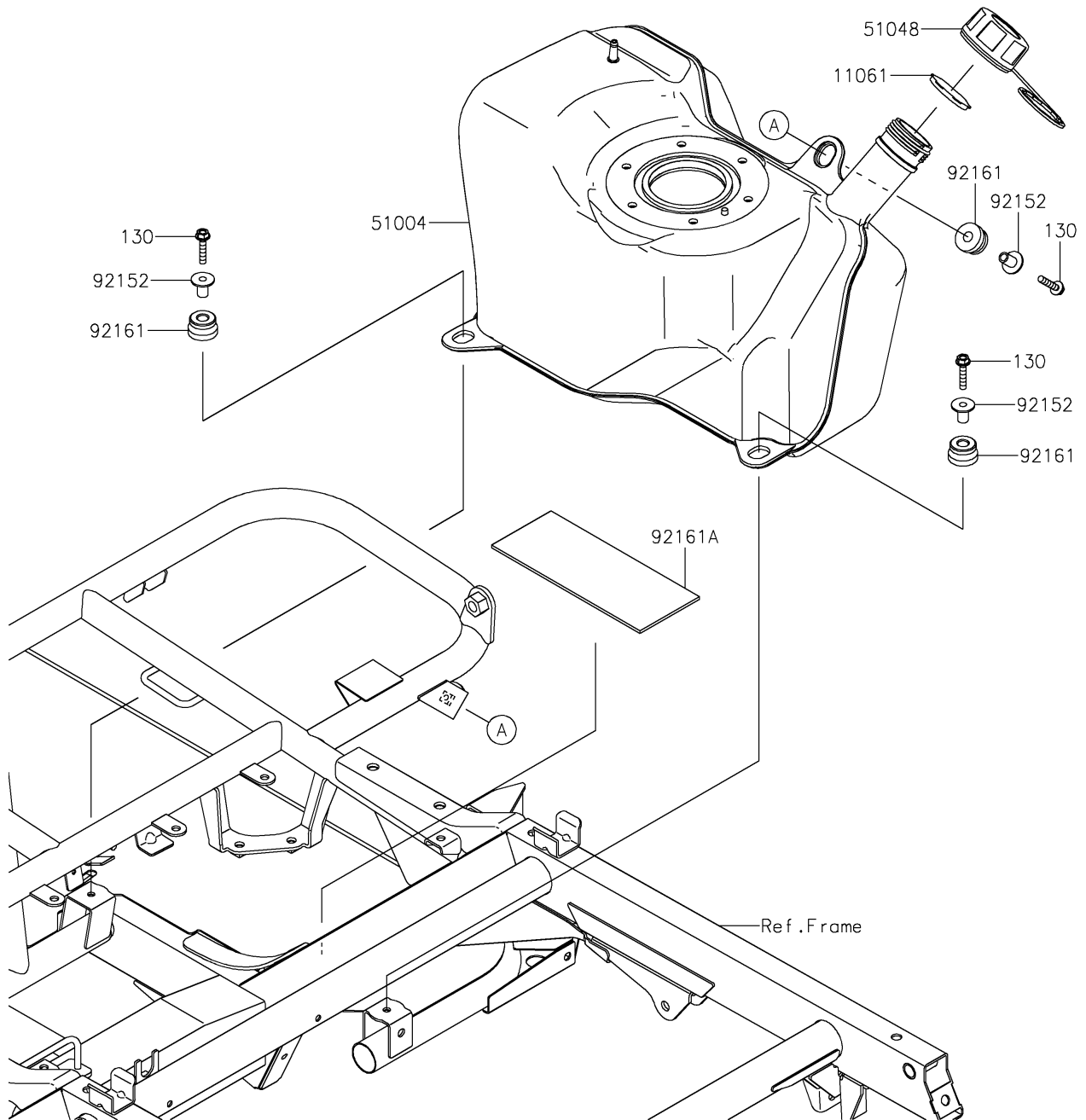


# 2024 MULE SX™ 4x4

## PARTS DIAGRAM

### Fuel Tank

F2410



# 2024 MULE SX™ 4x4

## PARTS LIST

Fuel Tank



ITEM NAME	PART NUMBER	QUANTITY
-----------	-------------	----------

---