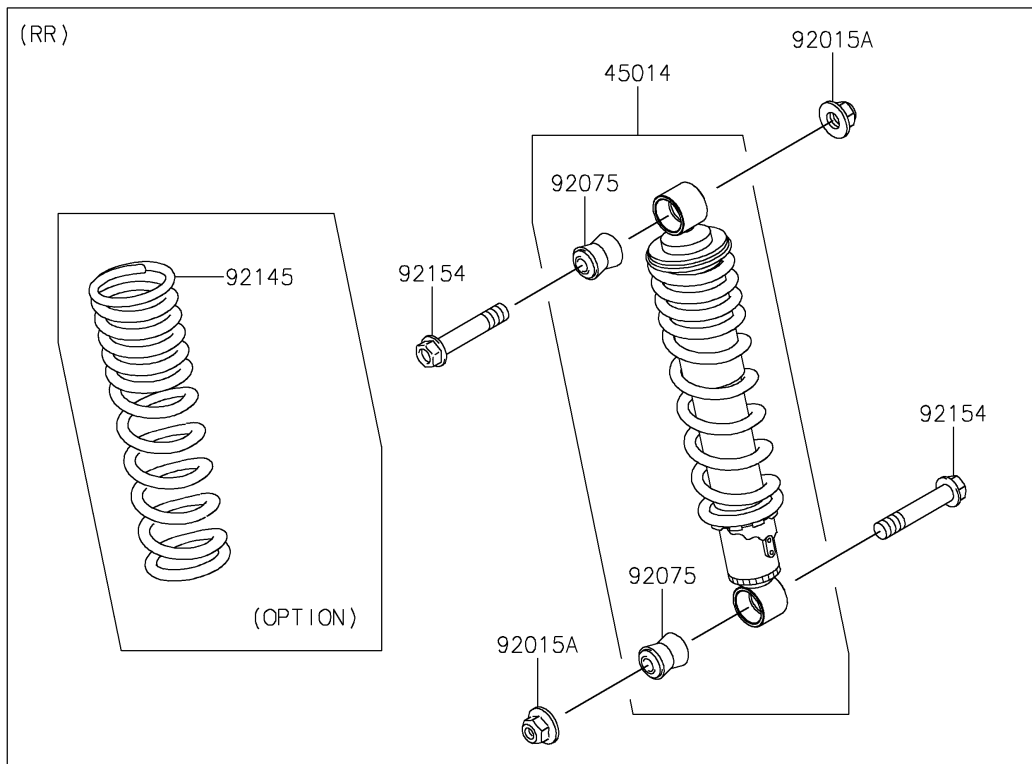
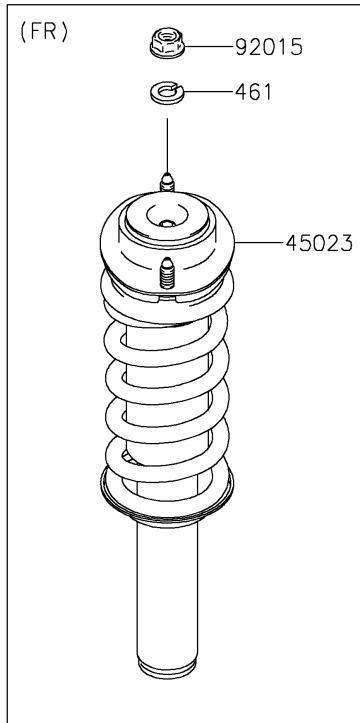


# 2024 MULE SX™ 4x4

## PARTS DIAGRAM

### Shock Absorber(s)

F2280



# 2024 MULE SX™ 4x4

## PARTS LIST

### Shock Absorber(s)

**ITEM NAME**

**PART NUMBER**

**QUANTITY**

---