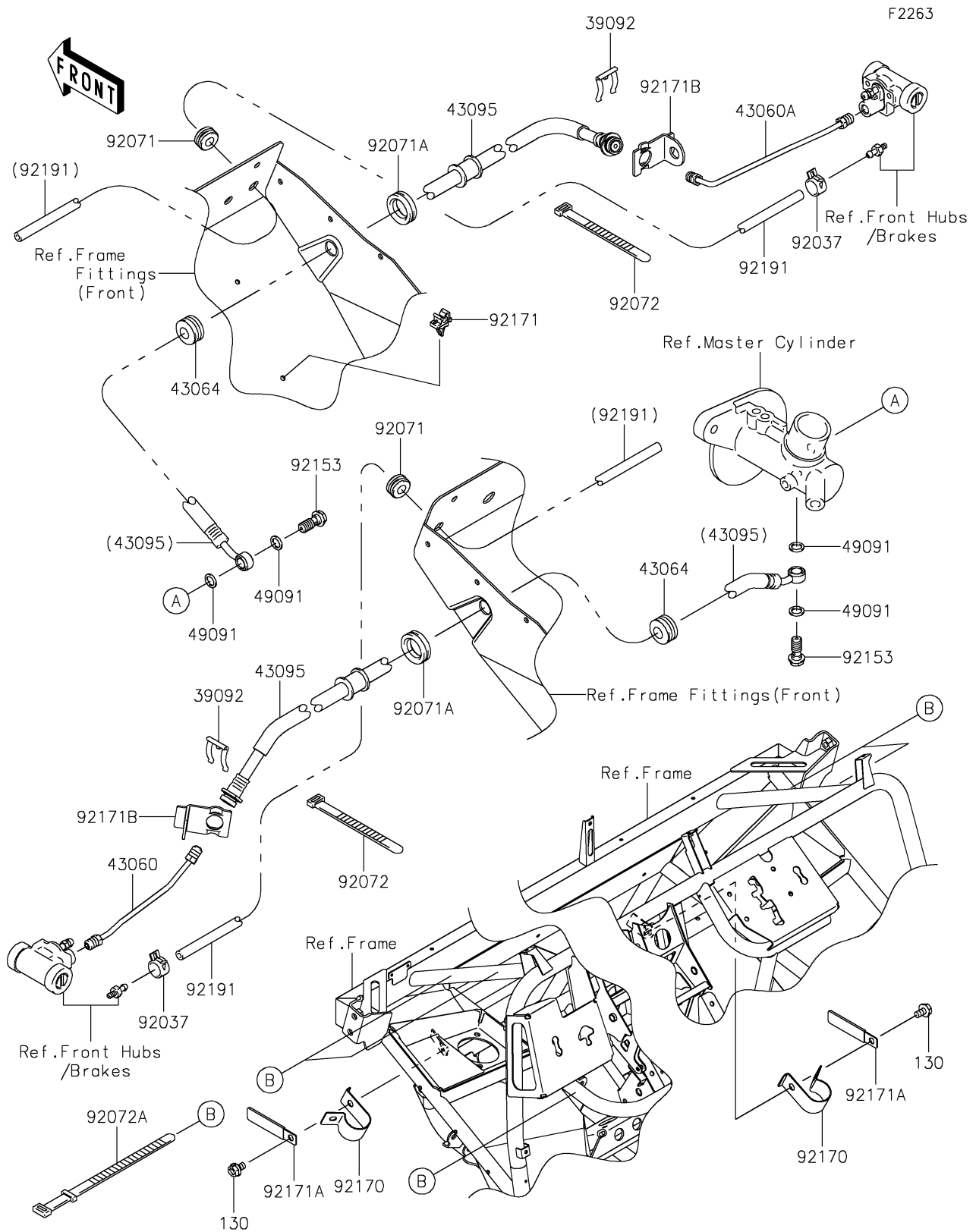


2024 MULE SX™ 4x4

PARTS DIAGRAM

Front Brake Piping



2024 MULE SX™ 4x4

PARTS LIST

Front Brake Piping

ITEM NAME	PART NUMBER	QUANTITY
-----------	-------------	----------
