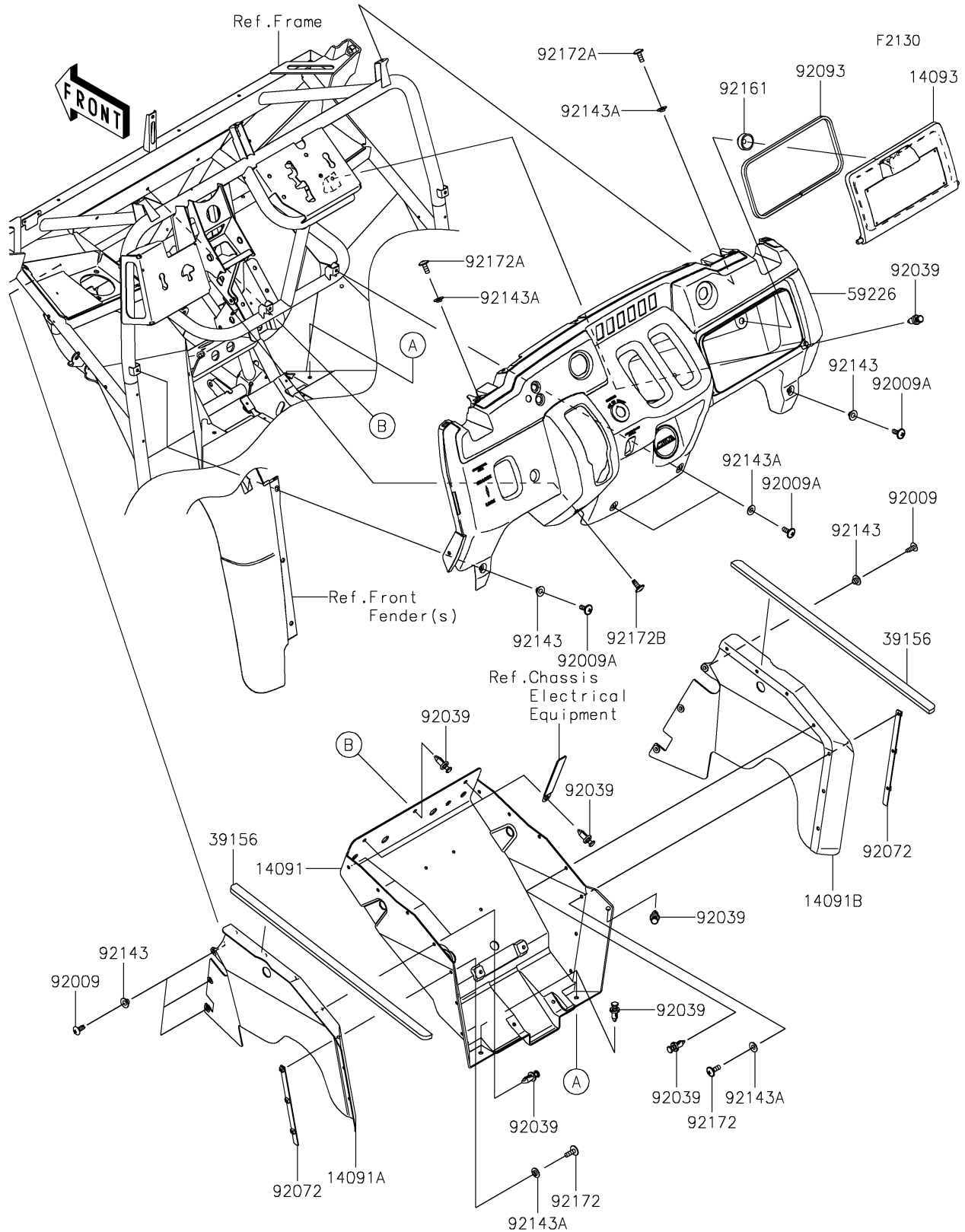


# 2024 MULE SX™ 4x4

## PARTS DIAGRAM

### Frame Fittings(Front)



# 2024 MULE SX™ 4x4

## PARTS LIST

### Frame Fittings(Front)

**ITEM NAME**

**PART NUMBER**

**QUANTITY**

---