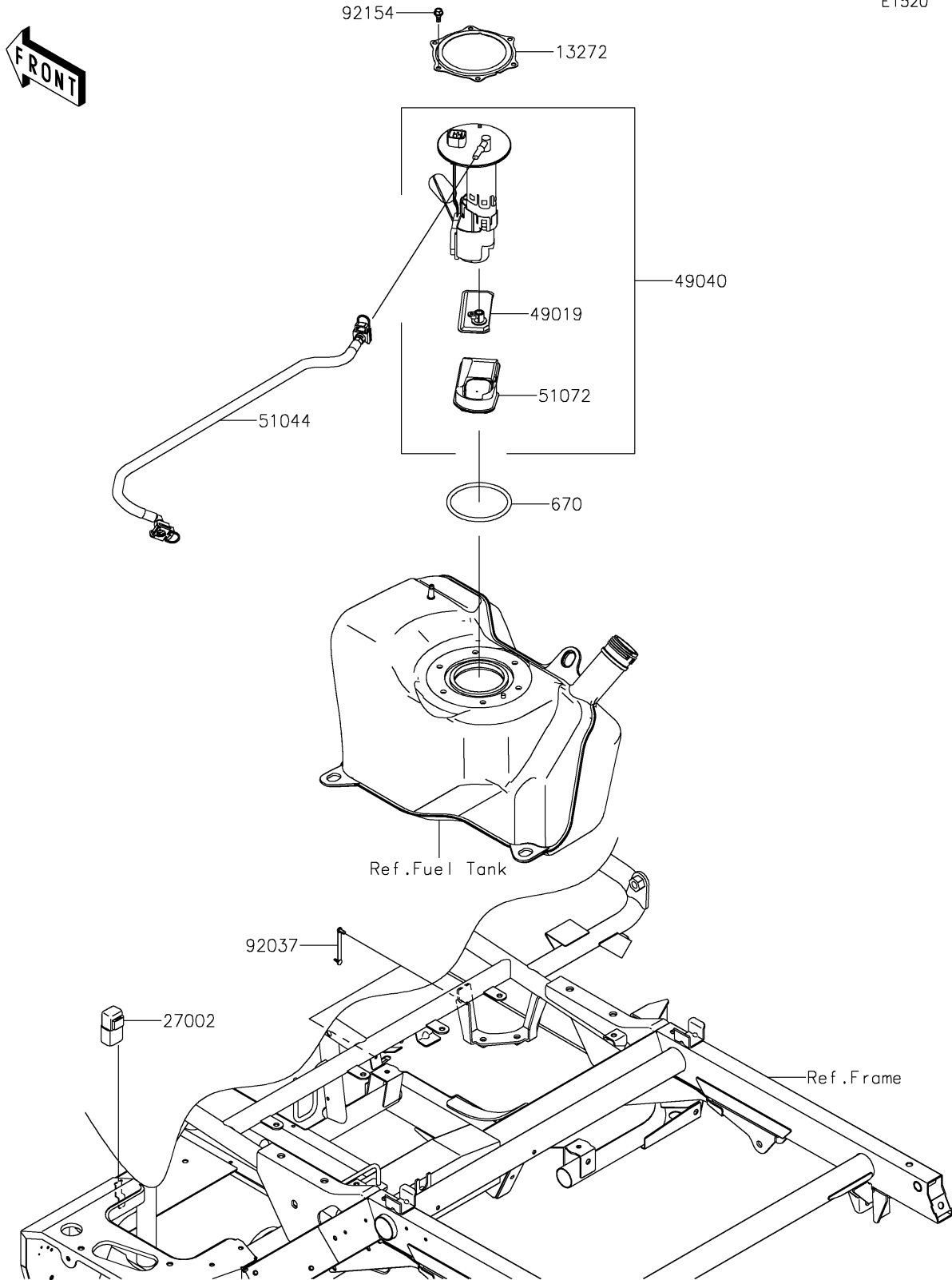


2024 MULE SX™ 4x4

PARTS DIAGRAM

Fuel Pump

E1520



2024 MULE SX™ 4x4

PARTS LIST

Fuel Pump

ITEM NAME

PART NUMBER

QUANTITY
