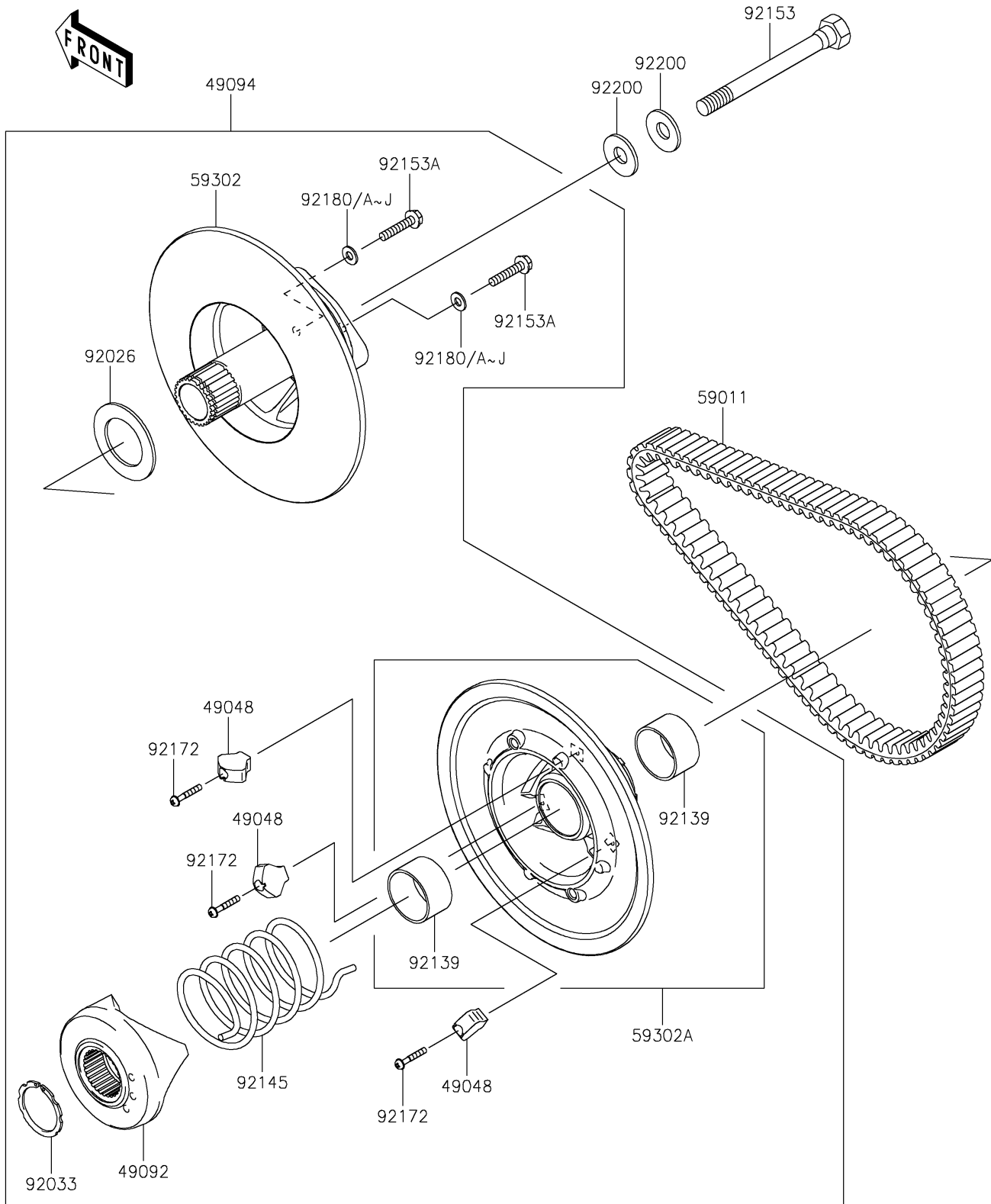


# 2024 MULE SX™ 4x4

## PARTS DIAGRAM

### Driven Converter/Drive Belt

E1392



# 2024 MULE SX™ 4x4

## PARTS LIST

### Driven Converter/Drive Belt

**ITEM NAME**

**PART NUMBER**

**QUANTITY**

---