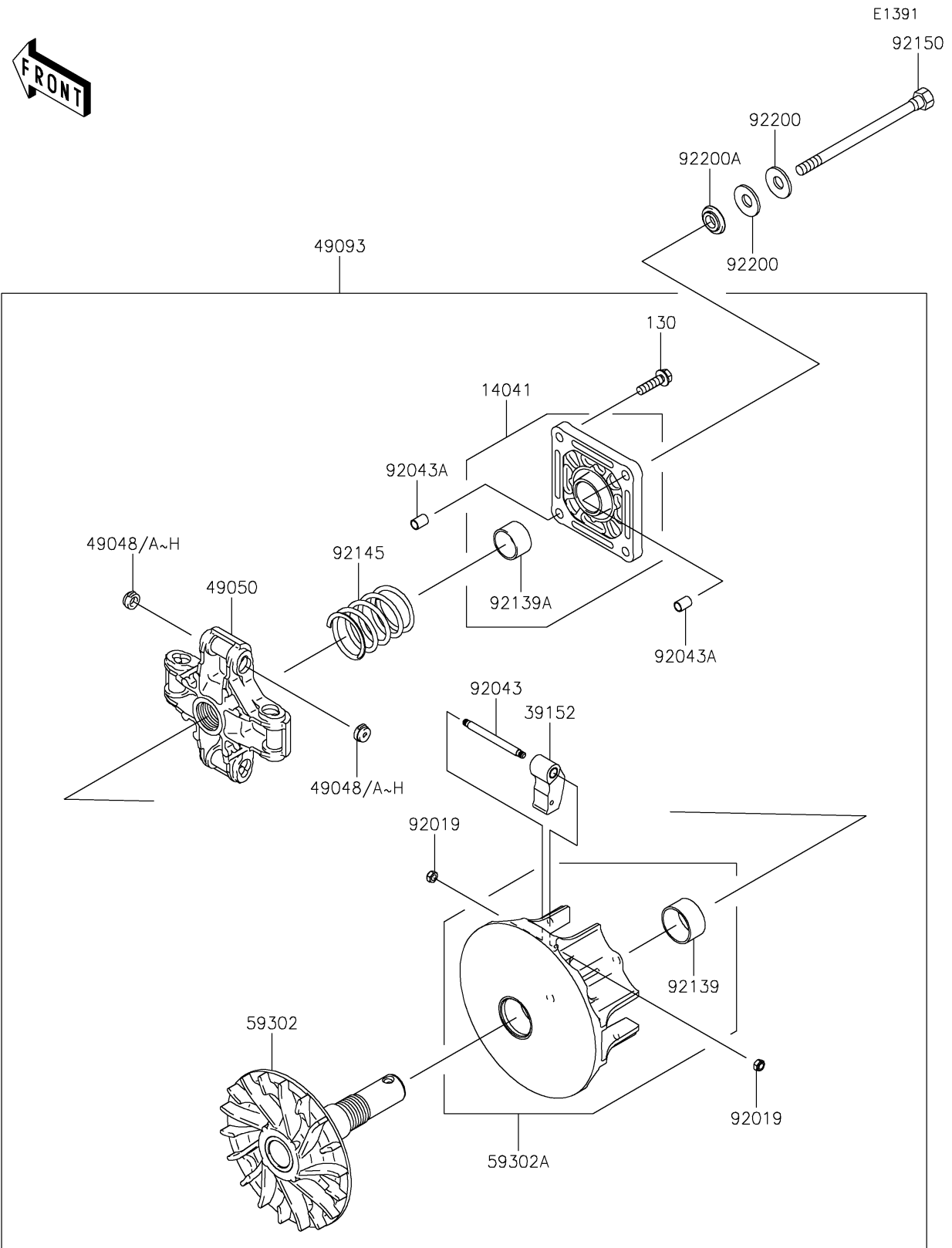


2024 MULE SX™ 4x4

PARTS DIAGRAM

Drive Converter



2024 MULE SX™ 4x4

PARTS LIST

Drive Converter

ITEM NAME

PART NUMBER

QUANTITY
