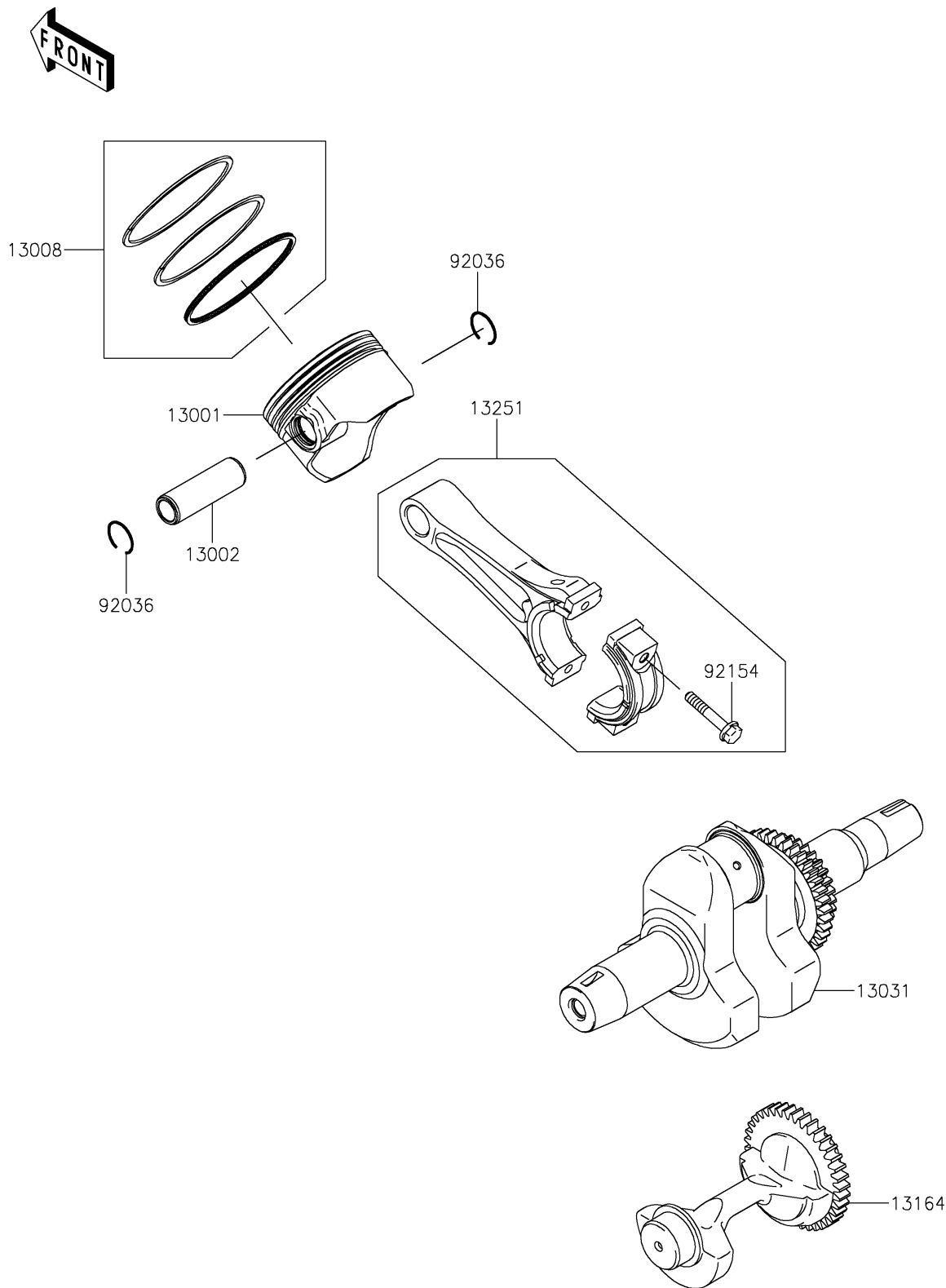


2024 MULE SX™ 4x4

PARTS DIAGRAM

Crankshaft/Piston(s)

E1320



2024 MULE SX™ 4x4

PARTS LIST

Crankshaft/Piston(s)

ITEM NAME

PART NUMBER

QUANTITY
