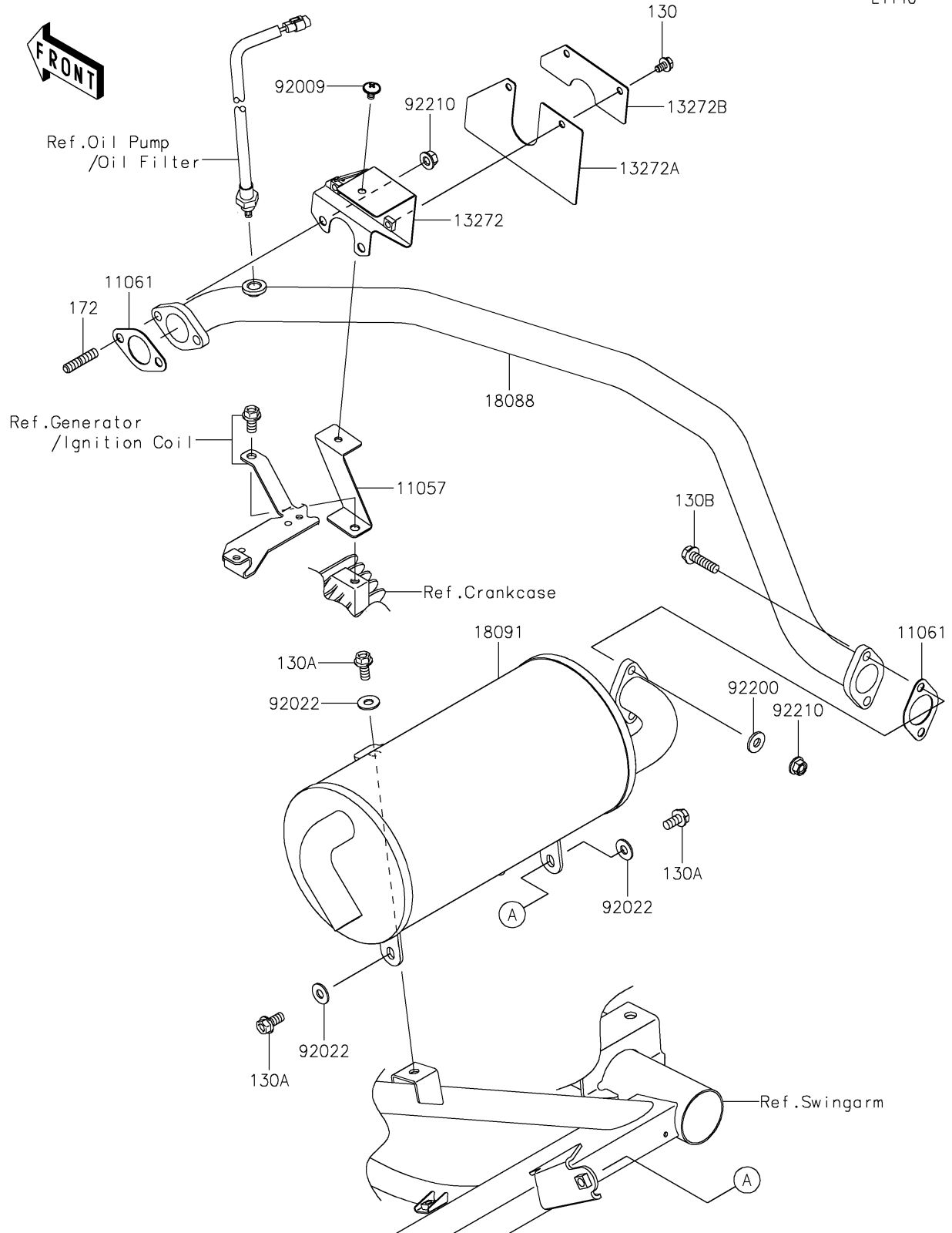


# 2024 MULE SX™ 4x4

## PARTS DIAGRAM

### Muffler(s)

E1140



# 2024 MULE SX™ 4x4

## PARTS LIST

Muffler(s)

**ITEM NAME**

**PART NUMBER**

**QUANTITY**

---